

**embraco**

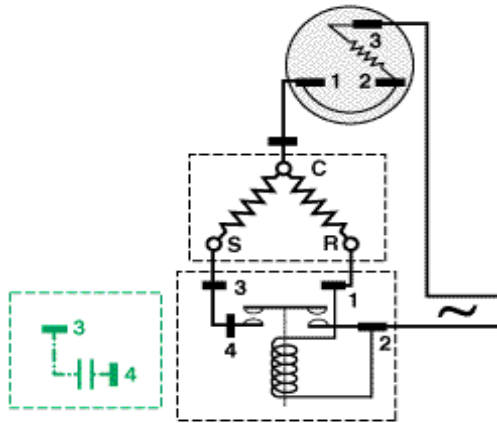
**EMI30ER**

**LBP**

**115 V**

**Blend**

**Wiring Diagram**



**Compressor Terminals**

C = Common

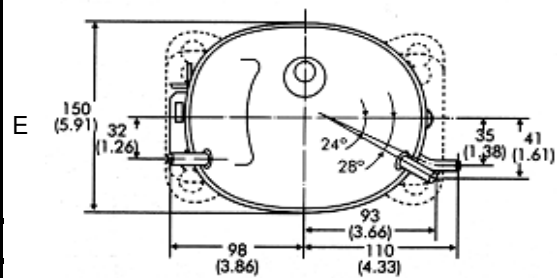
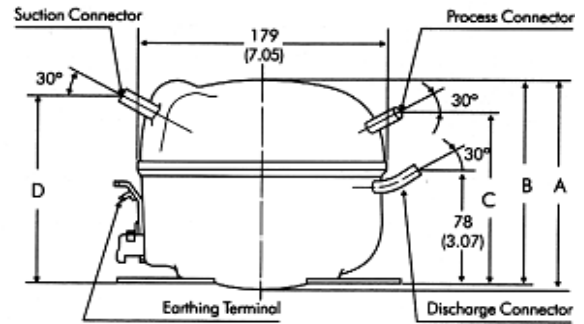
R = Run

S = Start

Electrical components are supplied unassembled. Use of components other than specified will void warranty.

**Dimensions (inches)**

A:6.18" B:6.1" C:5.47" D:5.67" E:5.91"




**Tube Diameter**

ID	Inch	MM
process	.255	6.5
suction	.255	6.5
discharge	.194	4.94

**Technical Specifications**

Rev 6-2013

Mechanical Data	English	Metric	Electrical Data	
Bore	0.75 in	19 mm	<b>Motor:</b>	RSIR/CSIR
Stroke	0.42 in	10.6 mm	2 pole - 1 phase	115v / 60 Hz
Displacement	0.183 cu in	3 cc	Voltage	98-140v
Speed	3,500 rpm	3,500 rpm	Voltage range	7.9 Ω
Weight	15.52 lb	7.04 kg	Run winding resistance at 25° C	21.2 Ω
Oil Charge	5.41 oz.	160 ml	Start winding resistance at 25° C	11.4 amps
Oil type	Alkylbenzene	ISO32	Locked rotor current	1.2 amps
<b>Compressor Cooling:</b> Static.			FLA: L/MBP-60Hz	
<b>Restrictor:</b> Capillary Tube			<b>Capacitor:</b>	
			Start cap	64-77 mfd 140V
			Run cap	N/A N/A

	<b>EMI30ER</b>	<b>LBP</b>	<b>115 V</b>	<b>Blend</b>
<b>Specifications</b>			<b>Usage</b>	
Approximate H. P.	1/10		Drinking Water Coolers	
Starting Torque	Normal		Dehumidifiers	
Refrigerant	Blend		Ice Machines	
Evaporator Temperature	Low		Reach In Refrigerators	
Evaporator Temperature	-31° to 14°F		Beer Coolers	

<b>LBP Performance</b>					
<b>Temperature °F</b>	-22	<b>-10</b>	5	14	-31
<b>Capacity BTU/Hr</b>	208	<b>350</b>	537	698	182
<b>Power W</b>	66	<b>85</b>	106	121	57
<b>Current Amps</b>	.95	<b>1.07</b>	1.2	1.3	.9
<b>Temperature °C</b>	-30	<b>-23.3</b>	-15	-10	-35
<b>Capacity Kcal/Hr</b>	52	<b>88</b>	135	176	46
<b>LBP Rating ASHRAE</b>		<b>Rating Point (bolded above)</b>	<b>HBP Rating ASHRAE</b>		
Condensing	130°F		Condensing	130°F	
Evaporator	-10°F		Evaporator	45°F	
Return Gas	90°F		Return Gas	95°F	
Ambient	90°F		Ambient	95°F	
Liquid Temp.	90°F		Liquid Temp.	115°F	

<b>Material</b>	<b>Part number</b>	<b>Description</b>	<b>Compressor Cross Ref.</b>
Compressor	513307069	EMI30ER	Model           Appl.
Relay	513504144		
*Overload	13634076	4TM 734LFBYY-53	
Grommet	2221003		
Sleeve	2222015		

\*Included in relay kit

## EMBRACO NORTH AMERICA, INC.

2800 Vista Ridge Dr. Suite 100, Suwanee Ga, 30024 Phone: 678-804-1337