

embraco

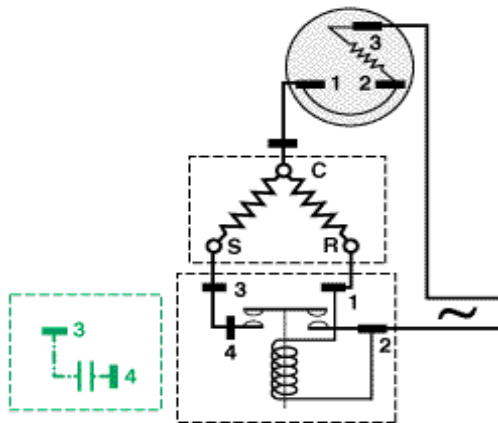
EM20HHR1

LBP-MBP-HBP

115V

134a

Wiring Diagram



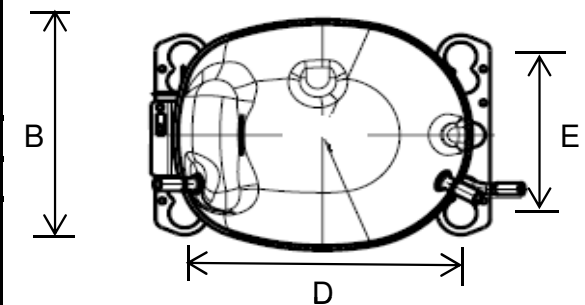
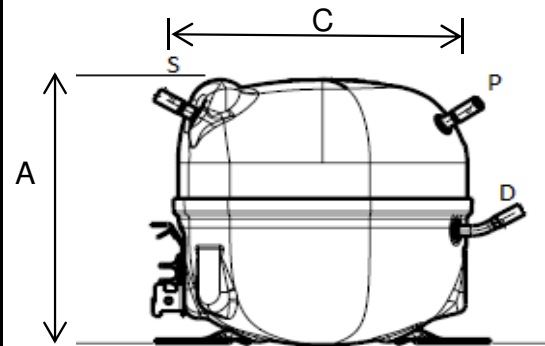
Compressor Terminals

- C = Common
- R = Run
- S = Start

Electrical components are supplied unassembled. Use of components other than specified will void warranty.

Dimensions (inches)

A:6.1" B:5.91" C:7.05" D:6.7" E:4.0"



Tube Diameter

ID	Inch	MM
Process	.255-1/4	6.5
Suction	.255-1/4	6.5
Discharge	.194-3/16	4.94

Technical Specifications

Rev 4-2017

Mechanical Data	English	Metric	Electrical Data	
Bore	0.75 in	19 mm	Motor: Voltage 115V / 60 Hz Voltage range 98-140V Run winding resistance at 25 °C 8.15 Ω Start winding resistance at 25 °C 24.9 Ω Locked rotor current 9 amps FLA: LMBP-60Hz 1.15 amps FLA: HBP-60Hz 1.30 amps	RSIR 115V / 60 Hz
Stroke	0.31 in	8 mm		
Displacement	0.14 cu in	2.27 cc		
Speed	3,500 rpm	3,500 rpm		
Weight	14.93 lb	6.77 kg		
Oil Charge	5.41 oz.	160 ml		
Oil type	POE	ISO22		
Compressor Cooling: Static. Fan Cooled by forced draft over shell.				
Restrictor: Capillary Tube				

embraco	EM20HHR1	LBP-MBP-HBP	115V	134a
Specifications			Usage	
Approximate H. P.	1/12		Drinking Water Coolers	
Starting Torque	Low		Dehumidifiers	
Refrigerant	134a		Ice Machines	
Evaporator Temperature	Low/Med/High		Reach In Refrigerators	
Evaporator Temperature	-31° to 59°F		Beer Coolers	

LBP Performance				
Temperature °F		-10		
Capacity BTU/Hr		200		
Power W		66		
Current Amps		0.91		
Temperature °C		-23.3		
Capacity Kcal/Hr		50		
HBP Performance				
Temperature °F			45	
Capacity BTU/Hr			1,020	
Power W			118	
Current Amps			1	
Temperature °C			7.2	
Capacity Kcal/Hr			257	
ASHRAE	LBP	Rating Point (bolded above)	ASHRAE	HBP32
Condensing	130°F		Condensing	130°F
Evaporator	-10°F		Evaporator	45°F
Return Gas	90°F		Return Gas	90°F
Ambient	90°F		Ambient	90°F
Liquid Temp.	90°F		Liquid Temp.	90°F

Material	Part number	Description	Compressor Cross Ref.	
Compressor	513307192	EM20HHR	Model	Appl.
Relay	513514024	2.12A - 115V		
Overload	513634700	4TM734KFBYY-53		
Start Cap	N/A			
Grommet	2221003			
Sleeve	2222015			

EMBRACO NORTH AMERICA, INC.
1610 Satellite Blvd. Suite B, Duluth Ga, 30097 Phone: 678-805-3074