

embraco

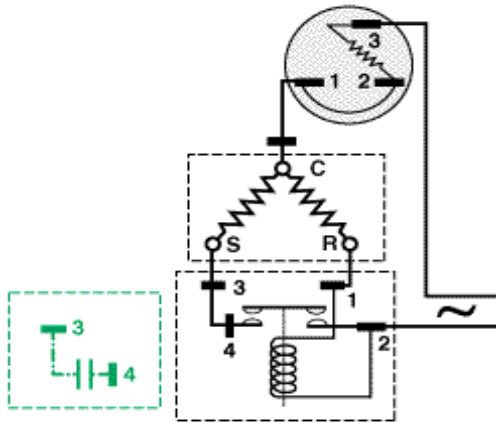
EM65NR

LBP

115 V

Blend

Wiring Diagram



Compressor Terminals

C = Common

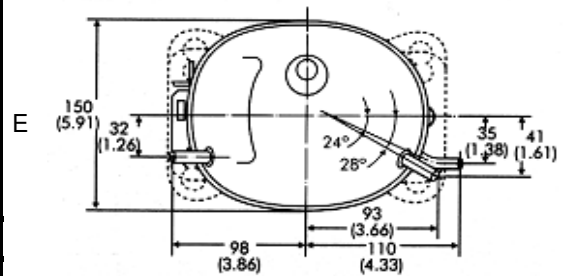
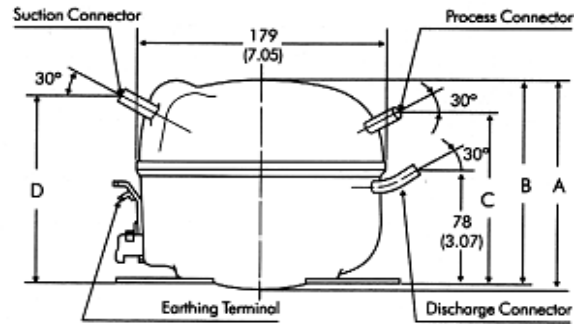
R = Run

S = Start

Electrical components are supplied unassembled. Use of components other than specified will void warranty.

Dimensions (inches)

A:6.18" B:6.1" C:5.47" D:5.67" E:5.91"




Tube Diameter

ID	Inch	MM
process	.255	6.5
suction	.255	6.5
discharge	.194	4.94

Technical Specifications

Rev 6-2013

Mechanical Data	English	Metric	Electrical Data	
Bore	0.83 in	21 mm	Motor:	RSIR/CSIR
Stroke	0.63 in	16 mm	2 pole - 1 phase	115v / 60 Hz
Displacement	0.338 cu in	5.54 cc	Voltage	103-132v
Speed	3,500 rpm	3,500 rpm	Voltage range	3.37 Ω
Weight	16.67 lb	7.56 kg	Run winding resistance at 25° C	9.5 Ω
Oil Charge	5.41 oz.	160 ml	Start winding resistance at 25° C	21 amps
Oil type	Alkylbenzene	ISO32	Locked rotor current	2.5 amps
Compressor Cooling: Static.			FLA: L/MBP-60Hz	
Restrictor: Capillary Tube			Capacitor:	*Optional
			*Start cap	216-259 mfd
			Run cap	N/A
				115V
				N/A

	EM65NR	LBP	115 V	Blend
Specifications			Usage	
Approximate H. P.		1/5	Drinking Water Coolers	
Starting Torque		Normal	Dehumidifiers	
Refrigerant		Blend	Ice Machines	
Evaporator Temperature		Low	Reach In Refrigerators	
Evaporator Temperature		-31° to 14°F	Beer Coolers	

LBP Performance					
Temperature °F	-22	-10	5	14	-31
Capacity BTU/Hr	435	635	953	1,184	312
Power W	128	154	192	215	111
Current Amps	1.84	1.97	2.21	2.38	1.74
Temperature °C	-30	-23.3	-15	-10	-35
Capacity Kcal/Hr	110	160	240	298	79

LBP Rating	ASHRAE	Rating Point (bolded above)	HBP Rating	ASHRAE
Condensing	130°F		Condensing	130°F
Evaporator	-10°F		Evaporator	45°F
Return Gas	90°F		Return Gas	95°F
Ambient	90°F		Ambient	95°F
Liquid Temp.	90°F		Liquid Temp.	115°F

Material	Part number	Description	Compressor Cross Ref.	
Compressor	513302711	EM65NR	Model	Appl.
Relay	513504187			
*Overload	13634106	4TM 757NFBYY-53		
Grommet	2221003			
Sleeve	2222015			

*Included in relay kit

EMBRACO NORTH AMERICA, INC.
2800 Vista Ridge Dr. Suite 100, Suwanee Ga, 30024 Phone: 678-804-1337