

embraco

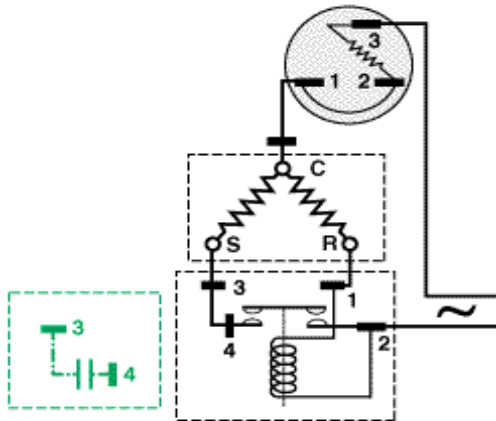
EMI55ER

LBP

115 V

Blend

Wiring Diagram



Compressor Terminals

C = Common

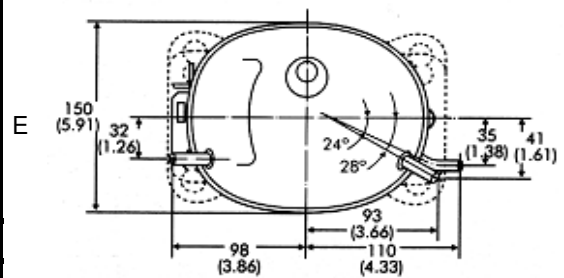
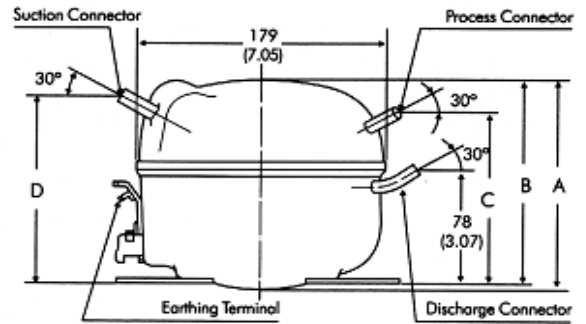
R = Run

S = Start

Electrical components are supplied unassembled. Use of components other than specified will void warranty.

Dimensions (inches)

A:6.18" B:6.1" C:5.47" D:5.67" E:5.91"




Tube Diameter

ID	Inch	MM
process	.255	6.5
suction	.255	6.5
discharge	.194	4.94

Technical Specifications

Rev 6-2013

Mechanical Data	English	Metric	Electrical Data	
Bore	0.83 in	21 mm	Motor:	RSIR/CSIR
Stroke	0.52 in	13.3 mm	2 pole - 1 phase	115v / 60 Hz
Displacement	0.281 cu in	4.6 cc	Voltage	98-140v
Speed	3,500 rpm	3,500 rpm	Voltage range	4.3 Ω
Weight	16.82 lb	7.63 kg	Run winding resistance at 25° C	12.4 Ω
Oil Charge	5.41 oz.	160 ml	Start winding resistance at 25° C	16.5 amps
Oil type	Alkylbenzene	ISO32	Locked rotor current	2.2 amps
Compressor Cooling:				
Static.				
Fan Cooled by forced draft over shell with 6 watt minimum fan.				
Restrictor:				
Capillary Tube			Capacitor:	*Optional
			*Start cap	233-280 mfd
			Run cap	N/A
				115V
				N/A

	EMI55ER	LBP	115 V	Blend
Specifications			Usage	
Approximate H. P.	1/6		Drinking Water Coolers	
Starting Torque	Normal		Dehumidifiers	
Refrigerant	Blend		Ice Machines	
Evaporator Temperature	Low		Reach In Refrigerators	
Evaporator Temperature	-31° to 14°F		Beer Coolers	

LBP Performance					
Temperature °F	-22	-10	5	14	-31
Capacity BTU/Hr	360	570	882	1,132	248
Power W	101	128	156	177	83
Current Amps	1.46	1.63	1.79	1.94	1.4
Temperature °C	-30	-23.3	-15	-10	-35
Capacity Kcal/Hr	91	144	222	285	62

LBP Rating	ASHRAE	Rating Point (bolded above)	HBP Rating	ASHRAE
Condensing	130°F		Condensing	130°F
Evaporator	-10°F		Evaporator	45°F
Return Gas	90°F		Return Gas	95°F
Ambient	90°F		Ambient	95°F
Liquid Temp.	90°F		Liquid Temp.	115°F

Material	Part number	Description	Compressor Cross Ref.	
Compressor	513307993	EMI55ER	Model	Appl.
Relay	513504018			
*Overload	13634790	4TM 757MDBYY-53		
Grommet	2221003			
Sleeve	2222015			

*Included in relay kit

EMBRACO NORTH AMERICA, INC.
2800 Vista Ridge Dr. Suite 100, Suwanee Ga, 30024 Phone: 678-804-1337