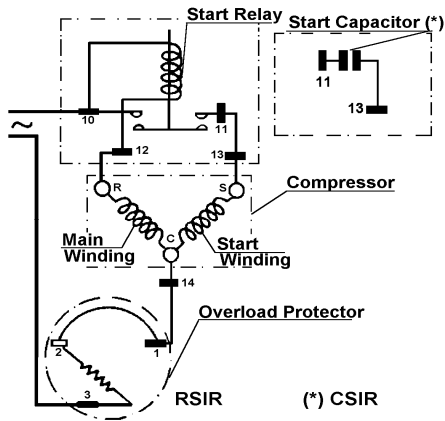


Wiring Diagram



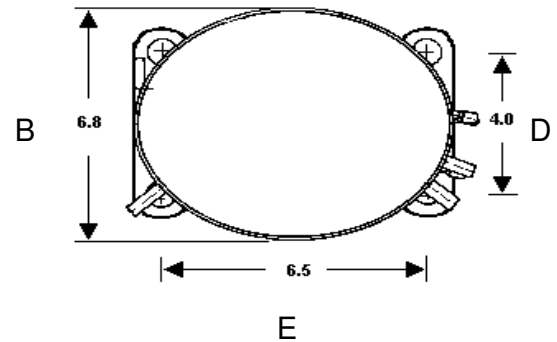
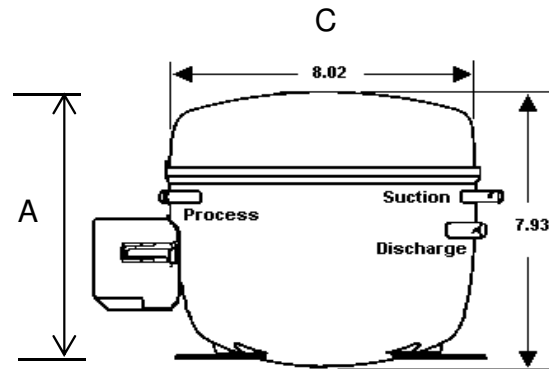
Compressor Terminals

- C = Common
- R = Run
- S = Start

Electrical components are supplied unassembled. Use of components other than specified will void warranty.

Dimensions (inches)

A: 7.93" B: 6.8" C: 8.02" D: 4.0" E: 6.5"




Tube Diameter

ID	Inch	MM
process	.255	6.5
suction	.325	8.3
discharge	.255	6.5

Technical Specifications

Rev 6-2013

Mechanical Data	English	Metric	Electrical Data	
Bore	0.826 in	21 mm	Motor: 2 pole - 1 phase	RSIR
Stroke	0.394 in	20 mm	Voltage	115v / 60 Hz
Displacement	0.42 cu in	6.93 cc	Voltage range	95-130v
Speed	3,500 rpm	3,500 rpm	Run winding resistance at 25° C	2.2 Ω
Weight	23.7 lb	10.6 kg	Start winding resistance at 25° C	11.2 Ω
Oil Charge	9.47 oz.	280 ml	Locked rotor current	25 amps
Oil type	Alkylbenzene	ISO32	FLA: L/MBP-60Hz	2.95 amps
Compressor Cooling: Static.			FLA: HBP-60Hz	3.46 amps
Restrictor: Capillary Tube			Capacitor: Start cap	N/A
			Run cap	N/A

	FFC60BK	LBP-MBP-HBP	115 V	Blend
Specifications Approximate H. P. 1/5+ Starting Torque Normal Refrigerant Blend Evaporator Temperature Low/Med/High Evaporator Temperature -31° to 59°F			Usage Drinking Water Coolers Dehumidifiers Ice Machines Reach In Refrigerators Beer Coolers	

LBP Performance					
Temperature °F	-22	-10	5	14	32
Capacity BTU/Hr	540	756	1,092	1,334	1,973
Power W	N/A	192	N/A	N/A	N/A
Current Amps	N/A	2.4	N/A	N/A	N/A
Temperature °C	-30	-23.3	-15	-10	0
Capacity Kcal/Hr	136	175	275	336	497
HBP Performance					
Temperature °F	14	23	32	45	50
Capacity BTU/Hr	1,334	1,644	1,973	2,573	2,763
Power W	N/A	N/A	N/A	356	N/A
Current Amps	N/A	N/A	N/A	3.68	N/A
Temperature °C	-10	-5	0	7.2	10
Capacity Kcal/Hr	336	414	497	635	696
LBP Rating	ASHRAE	Rating Point (bolded above)	HBP Rating	ASHRAE	
Condensing	130°F		Condensing	130°F	
Evaporator	-10°F		Evaporator	45°F	
Return Gas	90°F		Return Gas	95°F	
Ambient	90°F		Ambient	95°F	
Liquid Temp.	90°F		Liquid Temp.	115°F	

Material	Part number	Description	Compressor Cross Ref.
Compressor	513202010	FFC60BK	Model Appl. AEA3425AXA HBP, LST
Relay	513506405		
*Overload	13634653	4TM 762MDBYY-53	
Grommet	2221003		
Sleeve	2222015		

*Included in relay kit

EMBRACO NORTH AMERICA, INC.
 2800 Vista Ridge Dr. Suite 100, Suwanee Ga, 30024 Phone: 678-804-1337