

DBF 110 Duct Booster Fan

Item #: 95900

Variants: 120V 1~ 60Hz



Description

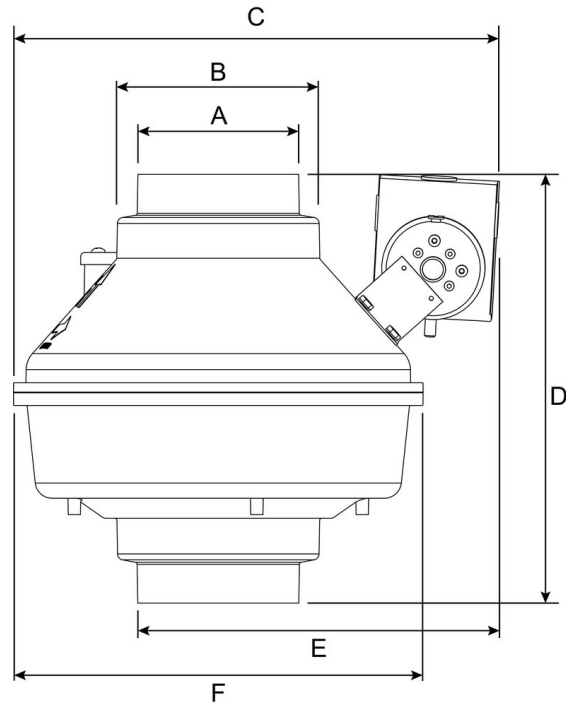
DBF 110 is a duct booster fan designed for boosting air on demand. The product is equipped with a pressure sensing switch that activates the fan once positive pressure is sensed in the duct line. The switch shuts the fan off when the pressure in the duct's normalized.

The DBF 110 features a plastic leak-proof housing and a pressure-sensing switch. Suitable for 4" ductwork. Performance certified by HVI; safety certified by ETL to UL507.

Technical parameters

Nominal data	
Voltage (nominal)	120 V
Frequency	60 Hz
Phase(s)	1~
Input power	65 W
Input current	0.54 A
Impeller speed	2,175 r.p.m.
Air flow	max 188.0 cfm
Temperature of transported air	max 140 °F
Protection/Classification	
Enclosure class, motor	IP44
Insulation class	B
Dimensions and weights	
Duct dimension; Circular, inlet	4 in.
Duct dimension; Circular, outlet	4 in.
Weight	9 lb
Optional	
Duct connection type	Circular

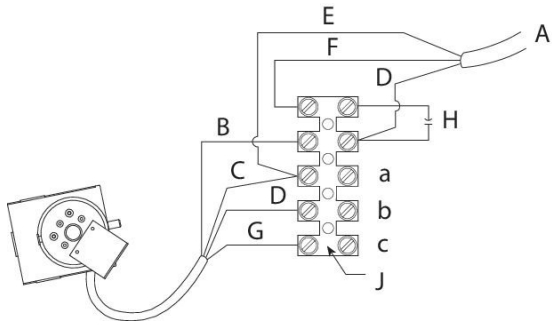
Dimensions



Mode	A	B	C	D	E	F
DBF	3 31/32	4 31/32	12 3/4	11 1/4	9 3/4	10
110	(100)	(126)	(324)	(286)	(248)	(250)

Dimensions are in inches (mm)

Wiring



P o s i t i o n	A	B	C	D	E	F	G	H	J	T	U	Z	a	b	c
D e s c r i p t i o n	P o w e r	R e d	W h i t e	B l a c k	B l u e	B r o w n	G r e e n	C a p a c i t o r	T e r m i n a l b o x	B l a c k	B l u e	B r o w n	N e u t r a l	L i n e	G r o u n d

D
i
a
g
r
a
m
1
Fan Only

D
i
a
g
r
a
m
2
Fan and Pressure Switch

Accessories

DBLT4W Secd Lint Trap (46000)
HS 4W External Louver Exhaust (45151)

Documents

142000 DBF DB4XL OIPM EN.PDF