

# DBF 4XL Duct Booster Fan

Item #: 95901

Variante : 120V 1~ 60Hz



## Description

DBF 4XL is a duct booster fan designed for boosting air on demand. The product is equipped with a 5 feet cord, pressure-sensing switch that activates the fan once positive pressure is sensed in the duct line. The switch shuts the fan off when the pressure in the duct's normalized.

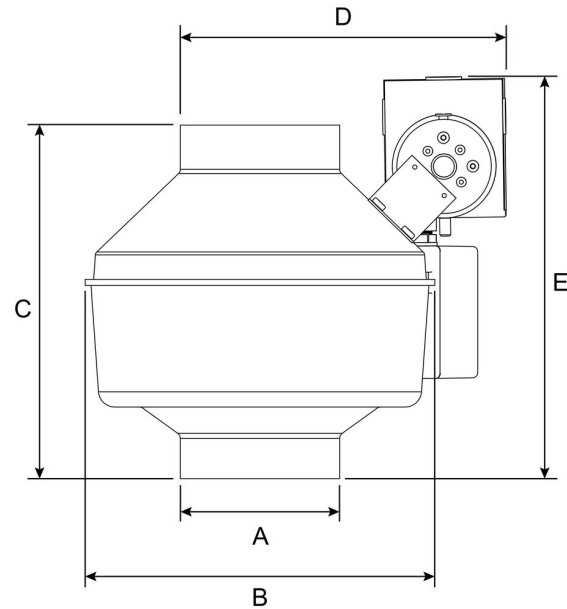
The DBF 4XL features a galvanized metal housing, pressure-sensing switch and a 5 feet cord for 120V/1~ connection. Suitable for 4" ductwork.

Performance certified by HVI; safety certified by ETL to UL507.

## Technical parameters

Nominal data	
Voltage (nominal)	120 V
Frequency	60 Hz
Phase(s)	1~
Input power	65 W
Input current	0.54 A
Impeller speed	2,175 r.p.m.
Air flow	max 188.0 cfm
Temperature of transported air	max 140 °F
Protection/Classification	
Enclosure class, motor	IP44
Insulation class	B
Dimensions and weights	
Duct dimension; Circular, inlet	4 in.
Duct dimension; Circular, outlet	4 in.
Weight	10 lb
Optional	
Duct connection type	Circular

## Dimensions



Model	A	B	C	D	E
DBF4XL	3 7/8 (98)	9 7/8 (251)	8 1/4 (210)	9 1/4 (235)	8 5/8 (219)

Dimensions in inches (mm)

## Wiring

P o s i t i o n	A	B	C	D	E	F	G	H	J	T K	U 2	Z 2	a	b	c
D e s c r i p t i o n	P o w e r	R e d	W h i t e	B l a c k	B l u e	B r o w n	G r e e n	C a p a c i t o r	T e r m i n a l b o x	B l a c k	B l u e	B r o w n	N e u t r a l	L i n e	G r o u n d

D  
i  
a  
g  
r  
a  
m  
1

Fan Only

D  
i  
a  
g  
r  
a  
m  
2

Fan and Pressure Switch

## Accessories

- DBLT4W Secd Lint Trap (46000)
- HS 4W External Louver Exhaust (45151)

## Documents

- 142000 DBF DB4XL OIPM EN.PDF