

# FG 10 Centrifugal Inline Fan

Item #: 40410

Variante : 120V 1~ 60Hz



## Description

- Speed-controllable
- Built-in thermal overload protection with automatic reset
- Can be installed in any position and outdoors
- Maintenance-free and reliable
- Mounting bracket and hardware included
- Five-year factory warranty

## Application

The FG Series is designed for installation in ducts.

## Design

The housing is manufactured from a two-piece stamped galvanized construction. The two halves are joined using Fantech's unique folded seam closure, which gives the fan the first in class, air tight seal. Duct connected outdoor and wet room applications of the fan are possible due to the air tight casing.

FG fans are equipped with backward-curved impeller blades and external...

[Find more details in our online catalogue](#)

## Technical parameters

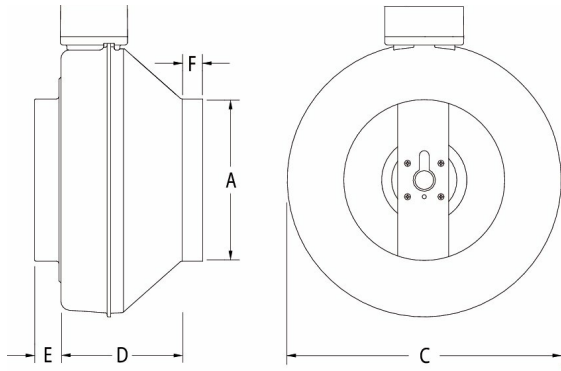
Normal data	
Voltage (nominal)	120 V
Frequency	60 Hz
Phase(s)	1~
Input power	133 W
Input current	1.23 A
Impeller speed	3,082 r.p.m.
Air flow	max 519.0 cfm
Temperature of transported air	max 140 °F
Max temperature of transported air, when speed controlled	140 °F
Protection/Classification	
Enclosure class, motor	IP44
Insulation class	B
Dimensions and weights	
Duct dimension; Circular, inlet	10 in.
Duct dimension; Circular, outlet	10 in.
Weight	8.9 lb
Optional	
Duct connection type	Circular

## Performances

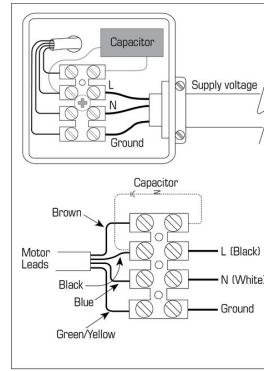
CFM Table

Model	0" Ps	0.2" Ps	0.4" Ps	0.6" Ps	0.8" Ps	1.0" Ps	1.5" Ps	2.0" Ps
FG 4	135	110	83	55	25	-	-	-
FG 4XL	170	150	134	119	103	86	40	-
FG 5XL	220	190	160	135	112	91	41	-
FG 6	303	270	232	196	164	134	58	-
FG 6M	418	370	317	268	224	186	101	16
FG 6XL	483	450	409	369	329	289	201	-
FG 8	461	410	351	295	243	191	97	14
FG 8XL	502	470	428	388	351	313	218	100
FG 10	513	480	444	407	366	324	216	90
FG 10XL	589	560	531	503	472	441	355	260
FG 12	741	680	601	515	434	363	236	141
FG 12XL	940	880	819	746	670	596	425	400

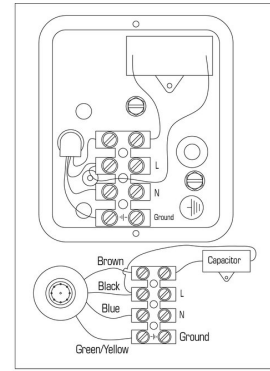
## Dimensions



## Wiring



3 wire motor

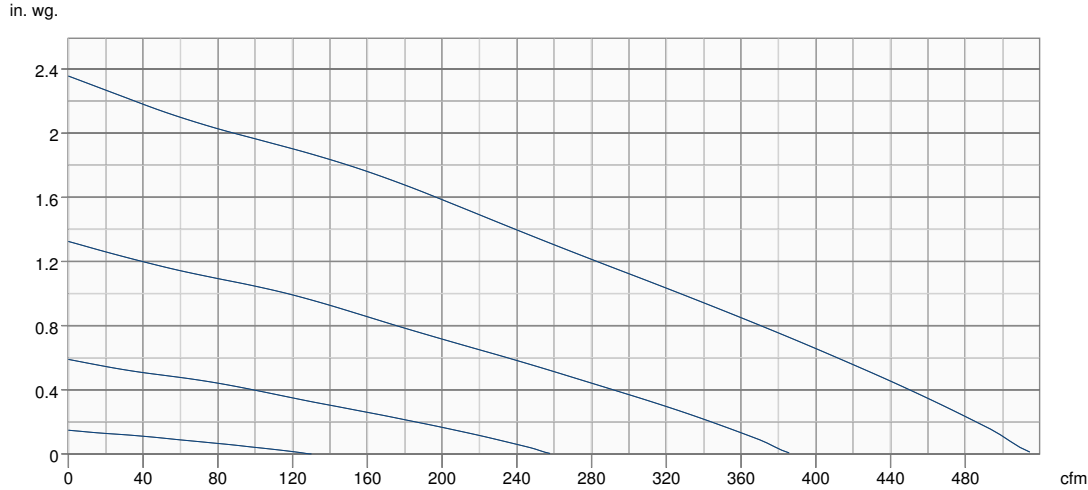


4 wire motor

Model	A	C	D	E	F
4	4 (101)	8 1/2 (216)	6 1/2 (165)	1 (25)	1 (25)
4XL	4 (101)	9 3/4 (248)	6 15/16	1 (25)	1 (25)
5	5 (127)	8 5/8 (219)	6 1/2 (165)	1 (25)	1 (25)
5XL	5 (127)	9 3/4 (248)	6 (152)	1 1/8 (29)	1 1/8 (29)
6	6 (152)	11 3/8 (289)	6 1/4 (159)	1 (25)	7/8 (22)
6XL	6 (152)	13 1/8 (333)	7 (178)	1 (25)	1 (25)
6M	6 (152)	13 1/8 (333)	7 (178)	1 (25)	1 (25)
8, 8XL	8 (203)	13 1/4 (337)	6 (152)	1 1/8 (29)	1 (25)
10	10 (254)	13 1/4 (337)	4 3/4 (121)	1 1/8 (29)	1 (25)
10XL	10 (254)	13 1/4 (337)	4 13/16 (122)	1 1/4 (32)	1 (25)
12, 12XL	12 (305)	16 (406)	6 11/16 (170)	1 1/2 (38)	1 (25)

Dimensions are in inches (mm).

## Performance curve



Hydraulic data	
Required air flow	-
Required static pressure	-
Working air flow	-
Working static pressure	-
Air density	0.075 lb/ft <sup>3</sup>
Power	-
Fan control - RPM	-
Current	-
SFP	-
Control voltage	-
Supply voltage	-

## Accessories

FC 10 Mounting Clamps (2 pcs) (411122)  
 FIDT 10 Insulated Flex Duct (411322)  
 HL 36 Kitchen Hood Liner (56047)  
 HL 48 Kitchen Hood Liner (56045)  
 IR 10 Iris Damper (411238)  
 RSK 10 Backdraft Damper (411116)  
 VT20M Pgrm Fan Main Ctrl (45386)

FD60EM Electronic Timer Switch (411386)  
 FML 10 Metal Hood Supply Air (45149)  
 HL 42 Kitchen Hood Liner (56046)  
 IG 10 Inlet Guard (411124)  
 LD 10 Silencer (411286)  
 VT20A Pgrm Fan Aux Ctrl (45385)  
 WC 15 Speed Control (5A) (411102)

## Documents

450369 FG Submittal Sheet EN.pdf  
 400017 FG OIPM EN FR ES.PDF  
 40410.dxf