

FG 6 Centrifugal Inline Fan

Item #: 40406

Variante : 120V 1~ 60Hz



Description

Designed for installation on circular ducts for supply or exhaust air in a variety of commercial or residential applications including renovation and new construction projects. The first-in-class airtight fan housing ensures leak-free operation.

Suggested applications range from general supply or exhaust to dedicated spot ventilation in both residential and commercial settings.

The fan controlled via a solid-state speed controller WC15 or push-button 60 min timer FD60EM.

- Airflow 285 cfm at 0" Ps
- Suitable for indoor/outdoor installations
- Thermally protected from overheating
- Mounting bracket and hardware included
- 5 Year factory warranty
- ENERGY STAR® listed [Find more details in our online catalogue](#)

Technical parameters

Nominal data	
Voltage (nominal)	120 V
Frequency	60 Hz
Phase(s)	1~
Input power	70 W
Input current	0.58 A
Impeller speed	2,703 r.p.m.
Air flow	max 305.0 cfm
Temperature of transported air	max 140 °F
Protection/Classification	
Enclosure class, motor	IP44
Insulation class	B
Dimensions and weights	
Duct dimension; Circular, inlet	6 in.
Duct dimension; Circular, outlet	6 in.
Weight	7.1 lb
Optional	
Duct connection type	Circular

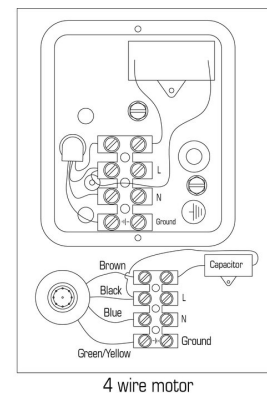
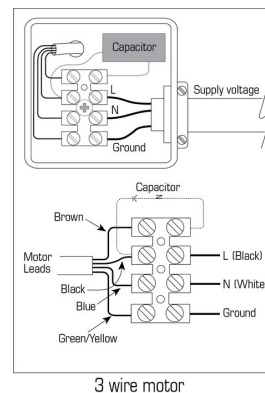
Performances

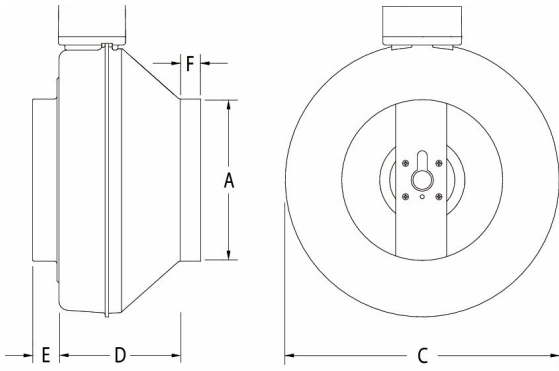
CFM Table

Model	0" Ps	0.2" Ps	0.4" Ps	0.6" Ps	0.8" Ps	1.0" Ps	1.5" Ps	2.0" Ps
FG 4	135	110	83	55	25	-	-	-
FG 4XL	170	150	134	119	103	86	40	-
FG 5XL	220	190	160	135	112	91	41	-
FG 6	303	270	232	196	164	134	58	-
FG 6M	418	370	317	268	224	186	101	16
FG 6XL	483	450	409	369	329	289	201	-
FG 8	461	410	351	295	243	191	97	14
FG 8XL	502	470	428	388	351	313	218	100
FG 10	513	480	444	407	366	324	216	90
FG 10XL	589	560	531	503	472	441	355	260
FG 12	741	680	601	515	434	363	236	141
FG 12XL	940	880	819	746	670	596	425	400

Dimensions

Wiring

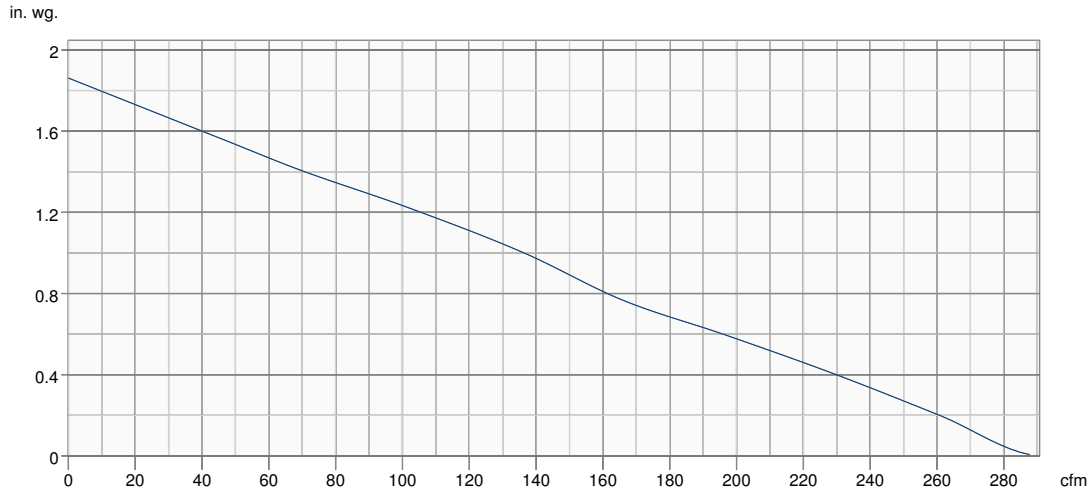




Model	A	C	D	E	F
4	4 (101)	8 1/2 (216)	6 1/2 (165)	1 (25)	1 (25)
4XL	4 (101)	9 3/4 (248)	6 15/16	1 (25)	1 (25)
5	5 (127)	8 5/8 (219)	6 1/2 (165)	1 (25)	1 (25)
5XL	5 (127)	9 3/4 (248)	6 (152)	1 1/8 (29)	1 1/8 (29)
6	6 (152)	11 3/8 (289)	6 1/4 (159)	1 (25)	7/8 (22)
6XL	6 (152)	13 1/8 (333)	7 (178)	1 (25)	1 (25)
6M	6 (152)	13 1/8 (333)	7 (178)	1 (25)	1 (25)
8, 8XL	8 (203)	13 1/4 (337)	6 (152)	1 1/8 (29)	1 (25)
10	10 (254)	13 1/4 (337)	4 3/4 (121)	1 1/8 (29)	1 (25)
10XL	10 (254)	13 1/4 (337)	4 13/16 (122)	1 1/4 (32)	1 (25)
12, 12XL	12 (305)	16 (406)	6 11/16 (170)	1 1/2 (38)	1 (25)

Dimensions are in inches (mm).

Performance curve



Hydraulic data	
Required air flow	-
Required static pressure	-
Working air flow	-
Working static pressure	-
Air density	0.075 lb/ft ³
Power	-
Fan control - RPM	-
Current	-
SFP	-
Control voltage	-
Supply voltage	-

Accessories

FC 6 Mounting Clamps (2 pcs) (411120)
 FIDT 6 Insulated Flex Duct (411064)
 IG 6 Inlet Guard (411109)
 LD 6 Silencer (411284)
 MGS 6 Metal Supply Grill (411242)
 RSK 6 Backdraft Damper (411114)
 VT20M Pgrm Fan Main Ctrl (45386)

FD60EM Electronic Timer Switch (411386)
 HL 30 Kitchen Hood Liner (56048)
 IR 6 Iris Damper (411236)
 MGE 6 Metal Exhaust Grill (411371)
 PBV6 Bath Fan Grill (412261)
 VT20A Pgrm Fan Aux Ctrl (45385)
 WC 15 Speed Control (5A) (411102)

Documents

450369 FG Submittal Sheet EN.pdf
 400017 FG OIPM EN FR ES.PDF
 40406.dxf