

FG 8 Centrifugal Inline Fan

Item #: 40408

Variante : 120V 1~ 60Hz



Description

- Speed-controllable
- Built-in thermal overload protection with automatic reset
- Can be installed in any position and outdoors
- Maintenance-free and reliable
- Mounting bracket and hardware included
- Five-year factory warranty

Application

The FG Series is designed for installation in ducts.

Design

The housing is manufactured from a two-piece stamped galvanized construction. The two halves are joined using Fantech's unique folded seam closure, which gives the fan the first in class, air tight seal. Duct connected outdoor and wet room applications of the fan are possible due to the air tight casing.

FG fans are equipped with backward-curved impeller blades and external...

[Find more details in our online catalogue](#)

Technical parameters

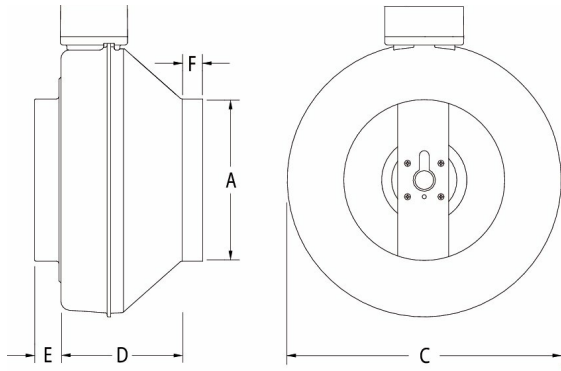
| Normal data | |
|---|---------------|
| Voltage (nominal) | 120 V |
| Frequency | 60 Hz |
| Phase(s) | 1~ |
| Input power | 116 W |
| Input current | 0.99 A |
| Impeller speed | 2,618 r.p.m. |
| Air flow | max 462.0 cfm |
| Temperature of transported air | max 140 °F |
| Max temperature of transported air, when speed controlled | 140 °F |
| Protection/Classification | |
| Enclosure class, motor | IP44 |
| Insulation class | B |
| Dimensions and weights | |
| Duct dimension; Circular, inlet | 8 in. |
| Duct dimension; Circular, outlet | 8 in. |
| Weight | 8.2 lb |
| Optional | |
| Duct connection type | Circular |

Performances

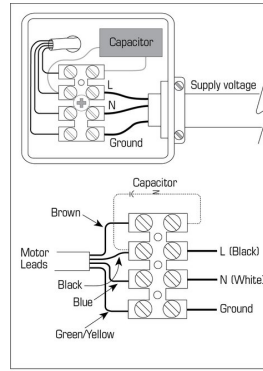
CFM Table

| Model | 0" Ps | 0.2" Ps | 0.4" Ps | 0.6" Ps | 0.8" Ps | 1.0" Ps | 1.5" Ps | 2.0" Ps |
|---------|-------|---------|---------|---------|---------|---------|---------|---------|
| FG 4 | 135 | 110 | 83 | 55 | 25 | - | - | - |
| FG 4XL | 170 | 150 | 134 | 119 | 103 | 86 | 40 | - |
| FG 5XL | 220 | 190 | 160 | 135 | 112 | 91 | 41 | - |
| FG 6 | 303 | 270 | 232 | 196 | 164 | 134 | 58 | - |
| FG 6M | 418 | 370 | 317 | 268 | 224 | 186 | 101 | 16 |
| FG 6XL | 483 | 450 | 409 | 369 | 329 | 289 | 201 | - |
| FG 8 | 461 | 410 | 351 | 295 | 243 | 191 | 97 | 14 |
| FG 8XL | 502 | 470 | 428 | 388 | 351 | 313 | 218 | 100 |
| FG 10 | 513 | 480 | 444 | 407 | 366 | 324 | 216 | 90 |
| FG 10XL | 589 | 560 | 531 | 503 | 472 | 441 | 355 | 260 |
| FG 12 | 741 | 680 | 601 | 515 | 434 | 363 | 236 | 141 |
| FG 12XL | 940 | 880 | 819 | 746 | 670 | 596 | 425 | 400 |

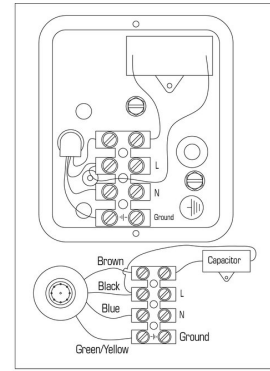
Dimensions



Wiring



3 wire motor



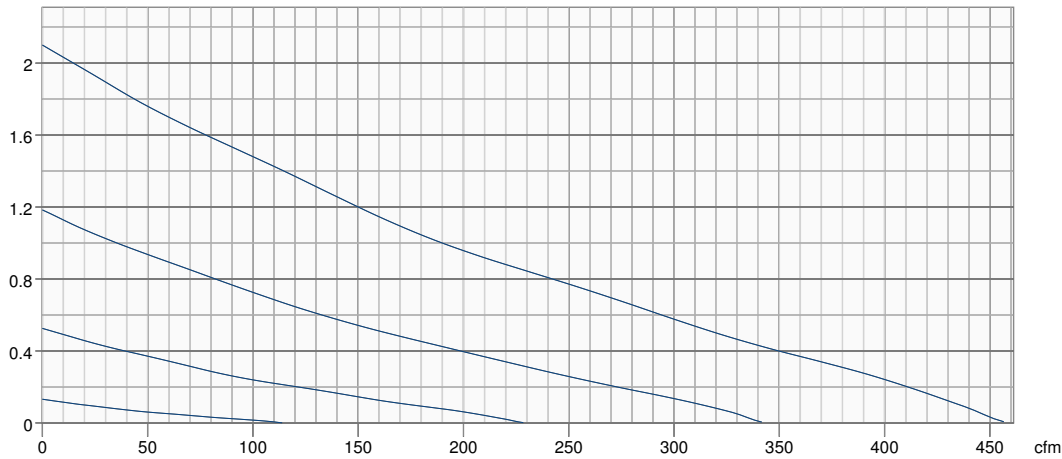
4 wire motor

| Model | A | C | D | E | F |
|----------|----------|--------------|---------------|------------|------------|
| 4 | 4 (101) | 8 1/2 (216) | 6 1/2 (165) | 1 (25) | 1 (25) |
| 4XL | 4 (101) | 9 3/4 (248) | 6 15/16 | 1 (25) | 1 (25) |
| 5 | 5 (127) | 8 5/8 (219) | 6 1/2 (165) | 1 (25) | 1 (25) |
| 5XL | 5 (127) | 9 3/4 (248) | 6 (152) | 1 1/8 (29) | 1 1/8 (29) |
| 6 | 6 (152) | 11 3/8 (289) | 6 1/4 (159) | 1 (25) | 7/8 (22) |
| 6XL | 6 (152) | 13 1/8 (333) | 7 (178) | 1 (25) | 1 (25) |
| 6M | 6 (152) | 13 1/8 (333) | 7 (178) | 1 (25) | 1 (25) |
| 8, 8XL | 8 (203) | 13 1/4 (337) | 6 (152) | 1 1/8 (29) | 1 (25) |
| 10 | 10 (254) | 13 1/4 (337) | 4 3/4 (121) | 1 1/8 (29) | 1 (25) |
| 10XL | 10 (254) | 13 1/4 (337) | 4 13/16 (122) | 1 1/4 (32) | 1 (25) |
| 12, 12XL | 12 (305) | 16 (406) | 6 11/16 (170) | 1 1/2 (38) | 1 (25) |

Dimensions are in inches (mm).

Performance curve

in. wg.



| Hydraulic data | |
|--------------------------|--------------------------|
| Required air flow | - |
| Required static pressure | - |
| Working air flow | - |
| Working static pressure | - |
| Air density | 0.075 lb/ft ³ |
| Power | - |
| Fan control - RPM | - |
| Current | - |
| SFP | - |
| Control voltage | - |
| Supply voltage | - |

Accessories

| | |
|---------------------------------------|---|
| FC 8 Mounting Clamps (2 pcs) (411121) | FD60EM Electronic Timer Switch (411386) |
| FML 8 Metal Hood Supply Air (45148) | HL 30 Kitchen Hood Liner (56048) |
| HL 36 Kitchen Hood Liner (56047) | HL 42 Kitchen Hood Liner (56046) |
| IG 8 Inlet Guard (411127) | IR 8 Iris Damper (411237) |
| LD 8 Silencer (411125) | MGE 8 Metal Exhaust Grill (411244) |
| MGS 6 Metal Supply Grill (411242) | MGS 8 Metal Supply Grill (411243) |
| PBH4 Bath Fan Grill w/ Hal (412262) | PBL10-4 Bath Fan Grill w/ LED (44952) |
| PBL74 Bath Fan Grill w/ LED (44951) | PBV4 Bath Fan Grill (412260) |
| PBV6 Bath Fan Grill (412261) | RSK 8 Backdraft Damper (411115) |
| VT20A Pgrm Fan Aux Ctrl (45385) | VT20M Pgrm Fan Main Ctrl (45386) |
| WC 15 Speed Control (5A) (411102) | |

Documents

450369 FG Submittal Sheet EN.pdf
 400017 FG OIPM EN FR ES.PDF
 40408.dxf