

FR 110 Centrif. Inline Fan

Item #: 411331

Variante : 115V 1~ 60Hz



Description

- Airflow up to 170 cfm
- Vibration welded seam ensures leak proof housing
- Speed-controllable
- Air stream temperatures up to 140 °F
- Not for Radon Mitigation applications! Use a radon fan Rn2 (89052)

Application

The FR Series is a versatile inline duct fan. These models can be used for multiple point exhaust, residential and commercial applications, crawl space venting or make-up air supply. They are also widely used as booster fans to move air from one room or area to another. These models are not designed for nor should be used in radon applications.

Design

The fans feature a fully...

[Find more details in our online catalogue](#)

Technical parameters

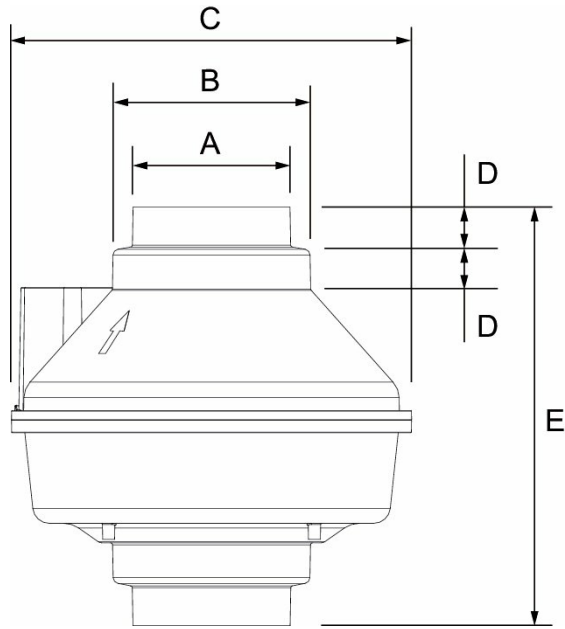
Nominal data	
Voltage (nominal)	115 V
Frequency	60 Hz
Phase(s)	1~
Input power	80 W
Input current	0.72 A
Impeller speed	2,899 r.p.m.
Air flow	max 167.0 cfm
Temperature of transported air	max 140 °F
Protection/Classification	
Enclosure class, motor	IP44
Insulation class	B
Dimensions and weights	
Duct dimension; Circular, inlet	4 in.
Duct dimension; Circular, outlet	4 in.
Weight	5.6 lb
Optional	
Duct connection type	Circular

Performances

CFM Table

Model	0.0" Ps	0.2" Ps	0.4" Ps	0.6" Ps	0.8" Ps	1.0" Ps	1.5" Ps
FR 100	151	123	94	63	20	-	-
FR 110	187	168	150	128	112	95	50
FR 125	172	139	98	63	15	-	-
FR 140	226	203	174	138	104	55	-
FR 150	327	287	247	200	163	118	37
FR 160	345	298	252	197	157	135	110

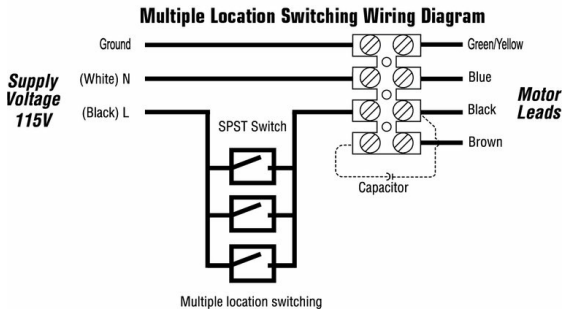
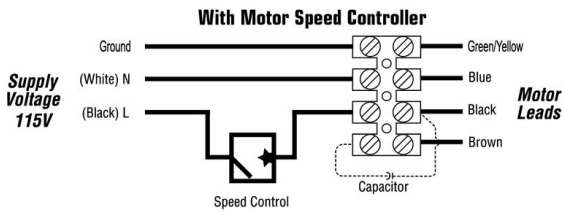
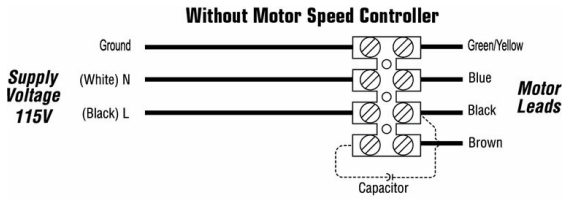
Dimensions



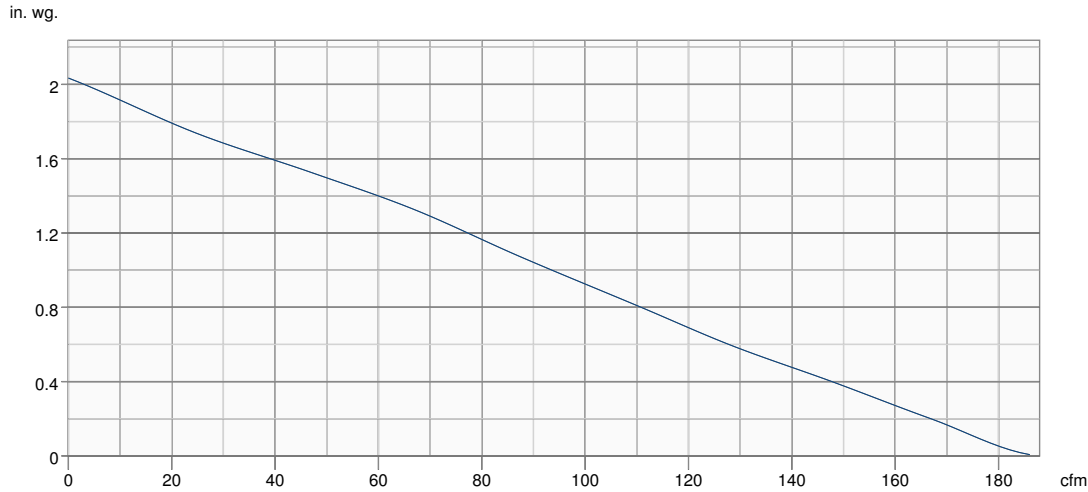
Model	A	B	C	D	E
FR 100	3 31/32 (110.5)	4 31/32 (126.5)	10 (256)	1 (25)	10 9/16 (268)
FR 110	3 31/32 (110.5)	4 31/32 (126.5)	10 (256)	1 (25)	10 9/16 (268)

Dimensions are in inches (mm)

Wiring



Performance curve



Hydraulic data	
Required air flow	-
Required static pressure	-
Working air flow	-
Working static pressure	-
Air density	0.075 lb/ft ³
Power	-
Fan control - RPM	-
Current	-
SFP	-
Control voltage	-
Supply voltage	-

Accessories

FC 4 Mounting Clamps (2 pcs) (411295)
 IR 4 Iris Damper (411234)
 RSK 4 Backdraft Damper (411112)
 VT20M Pgrm Fan Main Ctrl (45386)

HS 4W External Louver Exhaust (45151)
 LD 4 Silencer (411282)
 VT20A Pgrm Fan Aux Ctrl (45385)
 WC 15 Speed Control (5A) (411102)

Documents

450418 FR Guide Spec EN.pdf
 450371 FR Submittal Sheet EN.pdf
 401444 FR OIPM EN FR ES.pdf
 411331.dxf