

IR 4 Iris Damper

Item #: 411234



Description

The IR is an iris damper for measuring and adjusting the air flow. The IR has the following specifications: low noise level, centrally-formed air flow and fixed test points for precise measurements. The damper also has an adjustment aperture which can be opened completely, which means there is no need for an access door for cleaning. Available in sizes \varnothing 4-25 inches.

The damper is manufactured from galvanised sheet steel and is fitted with a rubber seal tested for air-tightness.

This device can be used for exhaust air.

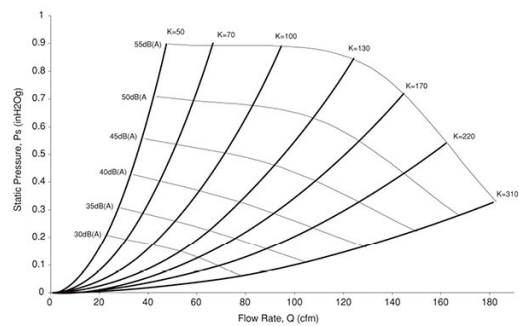
The IR adjustment damper must be installed in accordance with the...

[Find more details in our online catalogue](#)

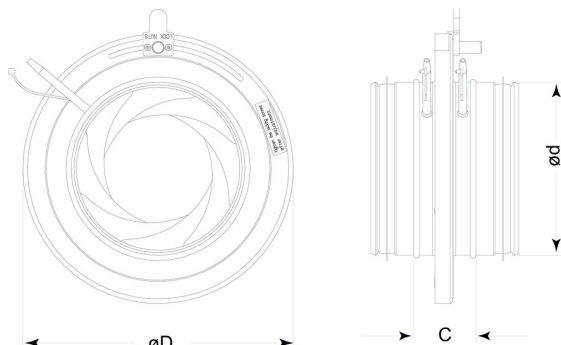
Technical parameters

Dimensions and weights	
Weight	2.1 lb

Performances



Dimensions



Model	d	D	C
IR 4	4	6 1/2	2 1/4
IR 5	5	8 1/4	2 1/2
IR 6	6	9	2
IR 8	8	11 1/4	2 1/4
IR 10	10	13	2 3/4
IR 12	12	16	2 3/8
IR 16	16	22	3 1/4

Dimensions in inches

Documents

424219 IR Series Spec Sheet EN - Canada.pdf

411736 IR Series Spec Sheet EN.pdf