

# PRO PLUS™-L Exhaust Fan

Item #: 98507



## Description

- Less than 0.5 Sones
- LED Light
- Motion and Humidity Sensors
- Built-in backdraft damper
- High efficiency motor
- 5 year warranty

## Application

The PRO PLUS-L exhaust fan provides remarkably quiet, energy efficient ventilation for bathrooms, powder rooms and other areas with square footage up to 130 sq. ft. The fan is designed for intermittent or continuous operation to meet **ASHRAE Standard 62.2**.

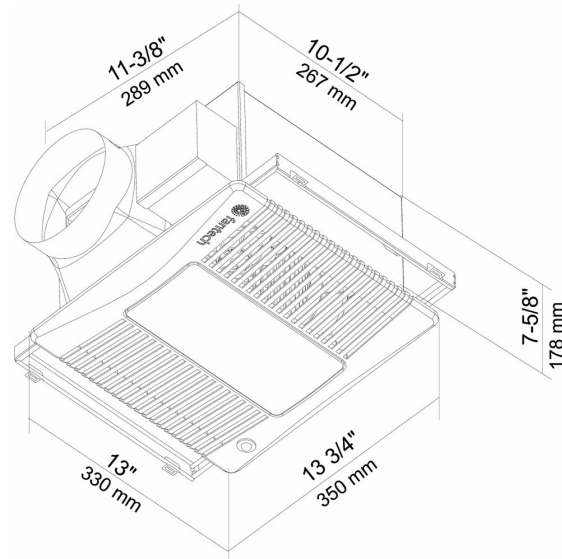
## Model

140 cfm fan with a ceiling grille, 11W LED light, humidity and motion sensor, backdraft damper. The fan provides 4 different airflows: 80-90-110-140 cfm. Uses a 6" flexible duct. The product is provided with an... Find more details in our online catalogue

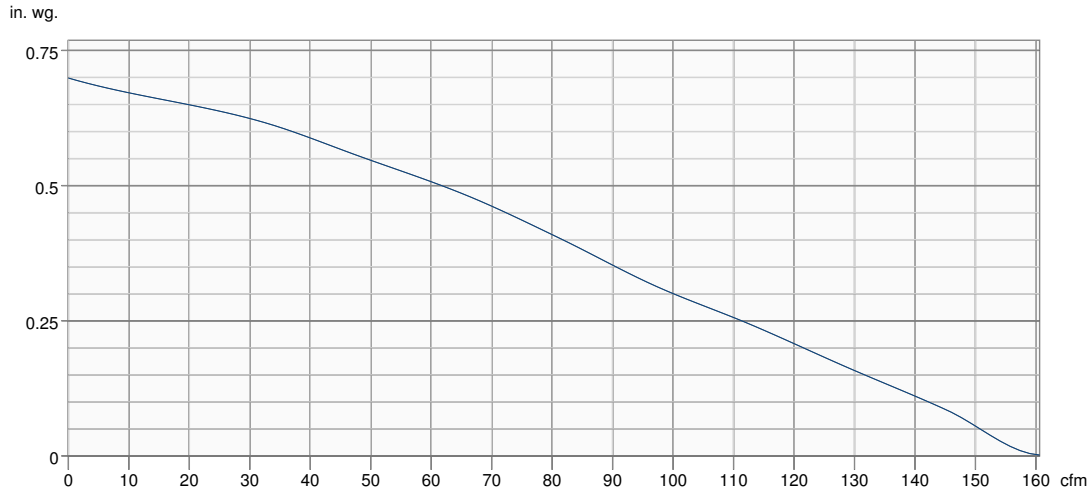
## Technical parameters

Nominal data	
Voltage (nominal)	120 V
Frequency	60 Hz
Phase(s)	1~
Phase(s), motor	1~
Input power	12 W
Input current	0.22 A
Motor current	0.22 A
Impeller speed	650 r.p.m.
Air flow	max 156.0 cfm
Protection/Classification	
Enclosure class, motor	IP44
Insulation class	B
Dimensions and weights	
Duct dimension; Circular, inlet	6 in.
Weight	12 lb
Optional	
Duct connection type	Circular
Motor type	DC

## Dimensions



## Performance curve



Hydraulic data	
Required air flow	-
Required static pressure	-
Working air flow	-
Working static pressure	-
Air density	0.075 lb/ft <sup>3</sup>
Power	-
Fan control - RPM	-
Current	-
SFP	-
Control voltage	-
Supply voltage	-

## Accessories

CKR 6" to 4" Duct Reducer (498135)  
 FIDT 6 Insulated Flex Duct (411064)  
 PRO PLUS™ Ceiling Rad.Damper (98600)

FD60EM Electronic Timer Switch (411386)  
 HS 6W External Louver Exhaust (45153)

## Documents

153506 ProPLUS Series IOM