

PRO PLUS™ Exhaust Fan

Item #: 98506



Description

- Less than 0.5 Sones
- Motion and Humidity Sensors
- Built-in backdraft damper
- High efficiency motor
- 5 year warranty

Application

The PRO PLUS exhaust fan provides remarkably quiet, energy efficient ventilation for bathrooms, powder rooms and other areas with square footage up to 130 sq. ft. The fan is designed for intermittent or continuous operation to meet **ASHRAE Standard 62.2**.

Model

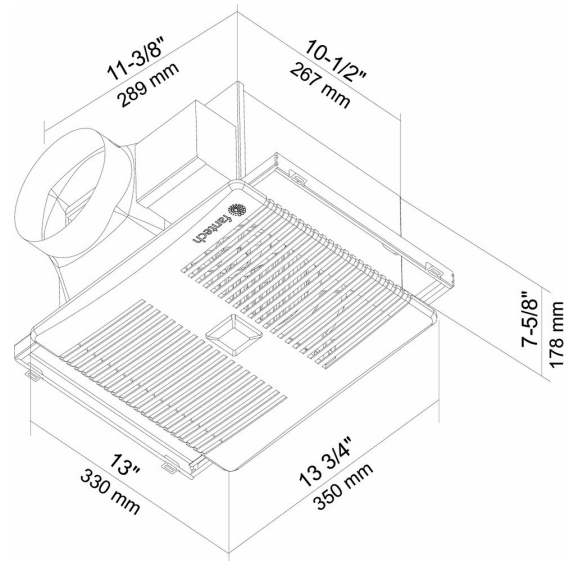
140 cfm fan with a ceiling grille, backdraft damper, humidity and motion sensor. The fan provides 4 different airflows: 80-90-110-140 cfm. Uses a 6" flexible duct. The product is provided with an adjustable 12-24" bar hanger for ease...

[Find more details in our online catalogue](#)

Technical parameters

Nominal data	
Voltage (nominal)	120 V
Frequency	60 Hz
Phase(s)	1~
Phase(s), motor	1~
Input power	12 W
Input current	0.22 A
Motor current	0.22 A
Impeller speed	650 r.p.m.
Air flow	max 156.0 cfm
Temperature of transported air	23 to 104 °F
Protection/Classification	
Enclosure class, motor	IP44
Dimensions and weights	
Duct dimension; Circular, inlet	6 in.
Weight	12 lb
Optional	
Duct connection type	Circular
Motor type	DC

Dimensions



Accessories

- CKR 6" to 4" Duct Reducer (498135)
- FIDT 6 Insulated Flex Duct (411064)
- PRO PLUS™ Ceiling Rad.Damper (98600)

- FD60EM Electronic Timer Switch (411386)
- HS 6W External Louver Exhaust (45153)

Documents

153506 ProPLUS Series IOM