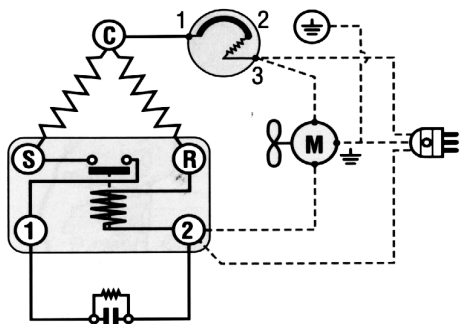


Wiring Diagram



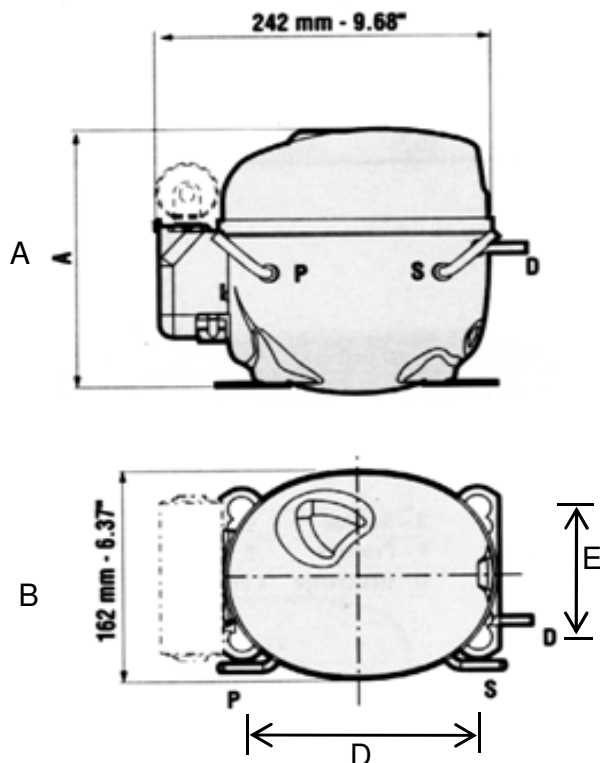
Compressor Terminals

- C = Common
- R = Run
- S = Start

Electrical components are supplied unassembled. Use of components other than specified will void warranty.

Dimensions (inches)

A: 8.1" B: 6.37" C: 9.68" D: 6.5" E: 4"



Tube Diameter

ID	Inch	MM
process	.254	6.45
suction	.316	8.03
discharge	.254	6.45

Technical Specifications

Rev 10/12

Mechanical Data	English	Metric	Electrical Data	
Bore	1.04 in	26.5 mm	motor: 2 pole - 1 phase	CSIR
Stroke	.63 in	15.92 mm	voltage	208-230 v
Displacement	.535 cu. In	8.77 cc	voltage range	187-253 v
Speed	3,500 rpm	3,500 rpm	run winding resistance at 25°C	3.6 Ω
Weight	25.57 lb	11.6 kg	start winding resistance at 25°C	15.3 Ω
Oil Charge	11.84 oz.	350 ml	locked rotor current	N/A

Compressor Cooling:

Fan cooled by forced draft over shell with 6 watt minimum fan.

Restrictor:

Expansion valve or capillary tube

capacitor:

capacitance
voltage

64-77 mfd
330v

embraco	NEK2134GK	LBP	208-230	404A
Specifications Approximate H. P. 1/2 Starting Torque High Refrigerant 404A Evaporator Temperature Low Evaporator Temperature -40° to 14°F			Usage Drinking Water Coolers Dehumidifiers Ice Machines Reach In Refrigerators Beer Coolers	

LBP Performance-208v					
Temperature °F	-22	-10	-4	5	14
Capacity BTU/Hr	1,296	1,858	2,167	2,709	3,322
Power W	341	420	459	521	585
Current Amps	2.51	2.80	2.95	3.21	3.49
Temperature °C	-30	-23.3	-20	-15	-10
Capacity Kcal/Hr	327	468	546	683	837

LBP Rating		Rating Point (Bolded above)	HBP Rating	
Condensing	130°F		Condensing	130°F
Evaporator	-10°F		Evaporator	45°F
Return Gas	90°F		Return Gas	95°F
Ambient	90°F		Ambient	95°F
Liquid Temp.	90°F		Liquid Temp.	115°F

Material	Part number	Description	Compressor Cross Ref.
Compressor	959DD71		Model Appl.
Relay	2271121		
Overload	2324009		
Start Cap	2252325	64-77 mfd / 330v	
Grommet	2221003		
Sleeve	2222015		

EMBRACO NORTH AMERICA, INC.
2800 Vista Ridge Dr. Suite 100, Suwanee Ga, 30024 Phone: 678-804-1337