

embraco

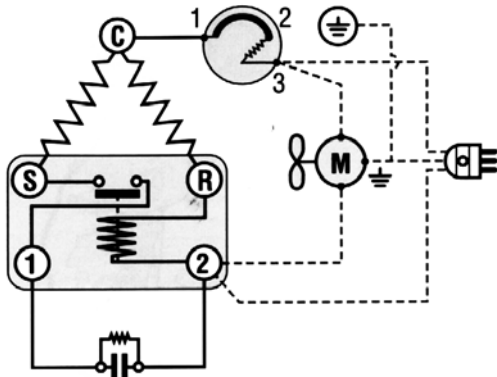
NEK6144Z1

MBP-HBP

115 V

134a

Wiring Diagram



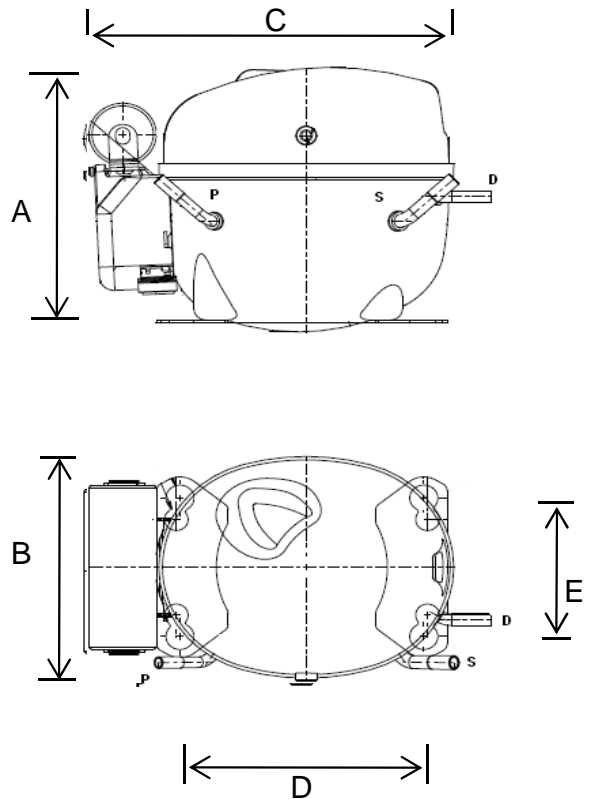
Compressor Terminals

- C = Common
- R = Run
- S = Start

Electrical components are supplied unassembled. Use of components other than specified will void warranty.

Dimensions (inches)

A:7.4" B: 6.37" C: 9.68" D: 6.5" E: 4"



Tube Diameter

ID	Inch	MM
Process	.25-1/4	6.45
Suction	.31-5/16	8.03
Discharge	.25-1/4	6.45

Technical Specifications

Rev 2-2019

Mechanical Data	English		Metric		Electrical Data	
Bore	.82 in		20.87 mm		Motor:	CSIR
Stroke	.63 in		15.92 mm		Voltage	115V / 60 Hz
Displacement	.28 cu. In		4.51 cm ³		Voltage range	103-127V
Speed	3,500 rpm		3,500 rpm		Run winding (± 10%) at 77° F	1.55 Ω
Weight	22.27 lb		10.1 kg		Start winding (± 10%) at 77° F	7.4 Ω
Oil Charge	11.84 oz.		350 ml		Locked rotor current	26 amps
Oil Type	POE		ISO22		RLA: M/HBP-60Hz	4.4 amps

Compressor Cooling:

Fan cooled by forced draft over shell with 6 watt minimum fan.

Restrictor:

Expansion valve or capillary tube

Capacitor:

Start	145-175 mfd	250V
Run	N/A	N/A

embraco	NEK6144Z1	MBP-HBP	115 V	134a
Specifications Approximate H. P. 1/6 Starting Torque Medium-High Refrigerant 134a Evaporator Temperature High Evaporator Temperature 5° to 50°F			Usage Drinking Water Coolers Dehumidifiers Ice Machines Reach In Refrigerators Beer Coolers	

HBP Performance					
Temperature °F	14	20	32	45	50
Capacity BTU/Hr		1000		2183	
Power W		137		295	
Current Amps		3.1		4.05	
Temperature °C	-10	-5	0	7.2	10
Capacity Kcal/Hr		252		457	

MBP Rating	ASHRAE	Rating Point (Bolded above)	HBP Rating	ASHRAE
Condensing	130°F		Condensing	130°F
Evaporator	20°F		Evaporator	45°F
Return Gas	95°F		Return Gas	95°F
Ambient	95°F		Ambient	95°F
Liquid Temp.	115°F		Liquid Temp.	115°F

Material	Part number	Description	Compressor Cross Ref.
Compressor	267GG90	NEK6144Z	Copeland
Relay	2271141-ESP	MTRPH-55-31	ARE17C4E-IAA
Overload	2324145-ESP	MST24AJK-3265	
Start Cap	2252282-ESP	145-174 mfd / 250V	
Grommet	2221003		
Sleeve	2222015		

EMBRACO NORTH AMERICA, INC.
 1610 Satellite Blvd. Suite B, Duluth Ga, 30097 Phone: 678-805-3074