

**embraco**

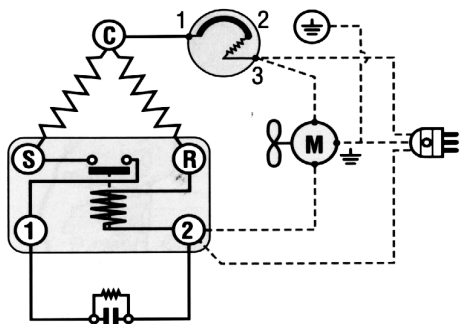
**NEK6160Z**

**HBP**

**115 V**

**134a**

**Wiring Diagram**



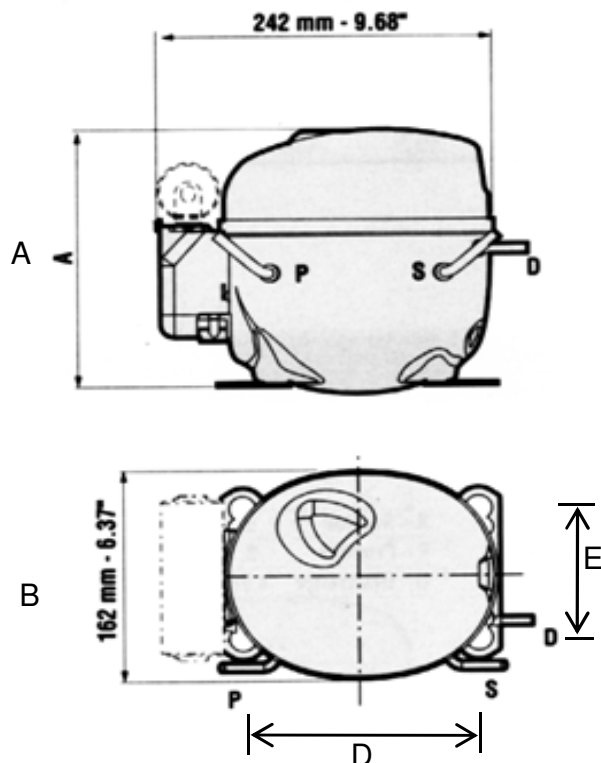
**Compressor Terminals**

- C = Common
- R = Run
- S = Start

Electrical components are supplied unassembled. Use of components other than specified will void warranty.

**Dimensions (inches)**

A:7.4" B: 6.37" C: 9.68" D: 6.5" E: 4"



**Tube Diameter**

ID	Inch	MM
process	.316	8.03
suction	.316	8.03
discharge	.254	6.45

**Technical Specifications**

Rev 09/12

Mechanical Data	English	Metric	Electrical Data	
Bore	1.04 in	26.5 mm	<b>motor:</b> 2 pole - 1 phase	CSIR
Stroke	.52 in	13.2 mm	voltage	115v / 60 Hz
Displacement	.444 cu. In	7.28 cc	voltage range	103-127v
Speed	3,500 rpm	3,500 rpm	run winding resistance at 25°C	1.24 Ω
Weight	22.93 lb	10.4 kg	start winding resistance at 25°C	6.14 Ω
Oil Charge	11.84 oz.	350 ml	locked rotor current	26 amps

**Compressor Cooling:**


Fan cooled by forced draft over shell with 6 watt minimum fan.

**Restrictor:**

Expansion valve or capillary tube

**capacitor:**

capacitance 145-175 mfd  
voltage 165v

	<b>NEK6160Z</b>	<b>HBP</b>	<b>115 V</b>	<b>134a</b>
<b>Specifications</b> Approximate H. P. 1/4 Starting Torque High Refrigerant 134a Evaporator Temperature High Evaporator Temperature 5° to 50°F			<b>Usage</b> Drinking Water Coolers Dehumidifiers Ice Machines Reach In Refrigerators Beer Coolers	

<b>HBP Performance</b>					
<b>Temperature °F</b>	14	23	32	<b>45</b>	50
<b>Capacity BTU/Hr</b>	1,335	1,695	2,129	<b>2,884</b>	3,222
<b>Power W</b>	267	295	322	<b>360</b>	376
<b>Current Amps</b>	4.13	4.26	4.41	<b>4.66</b>	4.77
<b>Temperature °C</b>	-10	-5	0	<b>7.2</b>	10
<b>Capacity Kcal/Hr</b>	336	427	536	<b>727</b>	812

<b>LBP Rating</b>		<b>Rating Point (Bolded above)</b>	<b>HBP Rating</b>	
Condensing	130°F		Condensing	130°F
Evaporator	-10°F		Evaporator	45°F
Return Gas	90°F		Return Gas	95°F
Ambient	90°F		Ambient	95°F
Liquid Temp.	90°F		Liquid Temp.	115°F

<b>Material</b>	<b>Part number</b>	<b>Description</b>	<b>Compressor Cross Ref.</b>
Compressor	267BG92	For use on CSIR applications  145-175 mfd / 165v	Model            Appl.
Relay	2271126		AEA3425YXA    HBP, LST
Overload	2324063		
Start Cap	2252318		
Grommet	2221003		
Sleeve	2222015		

**EMBRACO NORTH AMERICA, INC.**  
 2800 Vista Ridge Dr. Suite 100, Suwanee Ga, 30024 Phone: 678-804-1337