

embraco

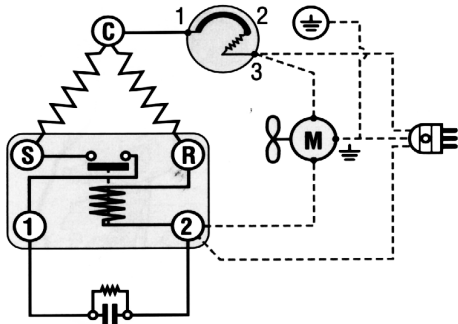
NEK6170Z

HBP

115 V

134a

Wiring Diagram



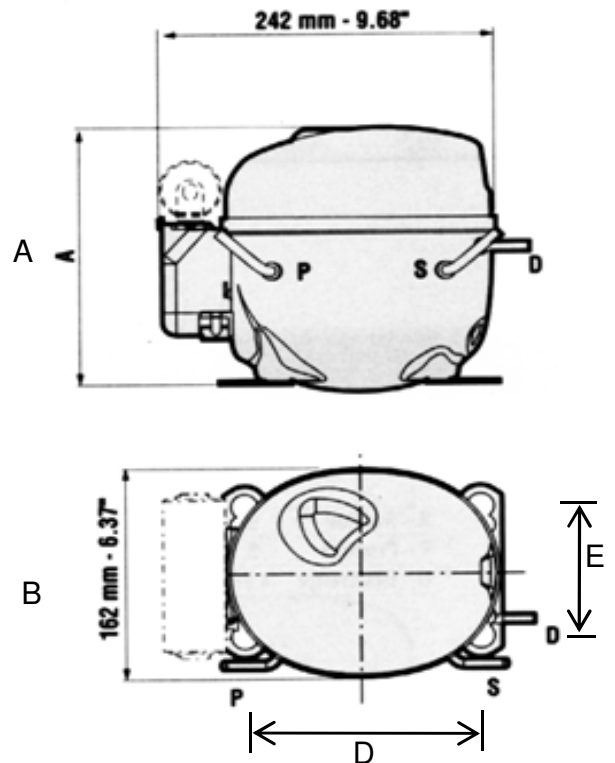
Compressor Terminals

- C = Common
- R = Run
- S = Start

Electrical components are supplied unassembled. Use of components other than specified will void warranty.

Dimensions (inches)

A: 7.4" B: 6.37" C: 9.68" D: 6.5" E: 4"



Tube Diameter

ID	Inch	MM
process	.254	6.45
suction	.316	8.03
discharge	.254	6.45

Technical Specifications

Rev 09/12

Mechanical Data	English	Metric	Electrical Data	
Bore	.96 in	24.28 mm	motor: 2 pole - 1 phase	CSIR
Stroke	.71 in	18.12 mm	voltage	115v / 60 Hz
Displacement	.512 cu. In	8.39 cc	voltage range	103-127v
Speed	3,500 rpm	3,500 rpm	run winding resistance at 25°C	1.24 Ω
Weight	22.93 lb	10.4 kg	start winding resistance at 25°C	6.14 Ω
Oil Charge	11.84 oz.	350 ml	locked rotor current	28.5 amps

Compressor Cooling:

Fan cooled by forced draft over shell with 6 watt minimum fan.


Restrictor:

Expansion valve or capillary tube

capacitor:

capacitance
voltage

145-175 mfd
165v

	NEK6170Z	HBP	115 V	134a
Specifications Approximate H. P. 1/4+ Starting Torque High Refrigerant 134a Evaporator Temperature High Evaporator Temperature 5° to 50°F			Usage Drinking Water Coolers Dehumidifiers Ice Machines Reach In Refrigerators Beer Coolers	

HBP Performance					
Temperature °F	14	23	32	45	50
Capacity BTU/Hr	1,594	1,991	2,476	3,346	3,715
Power W	301	336	370	418	436
Current Amps	4.15	4.38	4.61	4.95	5.09
Temperature °C	-10	-5	0	7.2	10
Capacity Kcal/Hr	402	502	624	841	936

LBP Rating		Rating Point (Bolded above)	HBP Rating	
Condensing	130°F		Condensing	130°F
Evaporator	-10°F		Evaporator	45°F
Return Gas	90°F		Return Gas	95°F
Ambient	90°F		Ambient	95°F
Liquid Temp.	90°F		Liquid Temp.	115°F

Material	Part number	Description	Compressor Cross Ref.	
Compressor	267DG92	For use on CSIR applications 145-175 mfd / 165v	Model	Appl.
Relay	2271126		AEA3430YXA	HBP, LST
Overload	2324055		AEA4430YXA	HBP, HST
Start Cap	2252318			
Grommet	2221003			
Sleeve	2222015			

EMBRACO NORTH AMERICA, INC.
2800 Vista Ridge Dr. Suite 100, Suwanee Ga, 30024 Phone: 678-804-1337