

embraco

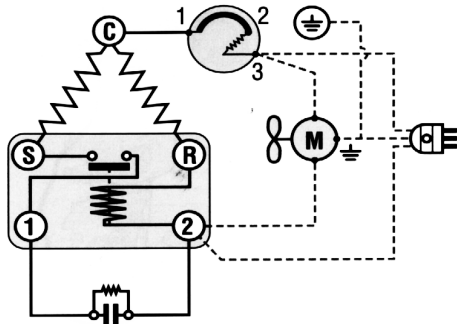
NEK6181GK

MBP-HBP

115 V

404A

Wiring Diagram



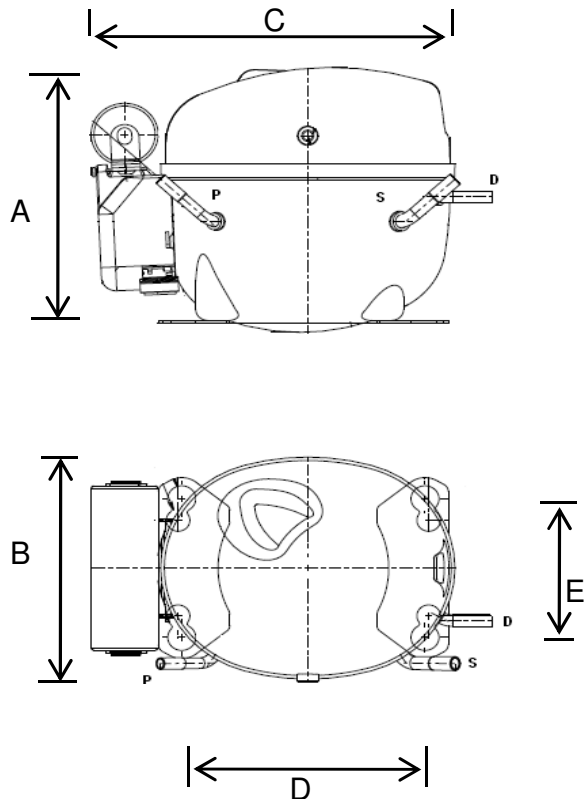
Compressor Terminals

- C = Common
- R = Run
- S = Start

Electrical components are supplied unassembled. Use of components other than specified will void warranty.

Dimensions (inches)

A: 7.4" B: 6.37" C: 9.68" D: 6.5" E: 4"




Tube Diameter

ID	Inch	MM
process	.254	6.45
suction	.316	8.03
discharge	.254	6.45

Technical Specifications

Rev 10/12

Mechanical Data	English	Metric	Electrical Data	
Bore	1.04 in	26.497 mm	motor: 2 pole - 1 phase	CSIR
Stroke	.52 in	13.2 mm	voltage	115v / 60 Hz
Displacement	.444 cu. In	7.28 cc	voltage range	103-127v
Speed	3,500 rpm	3,500 rpm	run winding resistance at 25°C	1.24 Ω
Weight	22.93 lb	10.4 kg	start winding resistance at 25°C	6.14 Ω
Oil Charge	11.84 oz.	350 ml	locked rotor current	26.5 amps
Compressor Cooling: Fan cooled by forced draft over shell with 6 watt minimum fan.				
Restrictor: Expansion valve or capillary tube			capacitor: capacitance voltage	145-175 mfd 165v

	NEK6181GK	MBP-HBP	115 V	404A
Specifications Approximate H. P. 1/3+ Starting Torque High Refrigerant 404A Evaporator Temperature Low Evaporator Temperature -4° to 50°F			Usage Drinking Water Coolers Dehumidifiers Ice Machines Reach In Refrigerators Beer Coolers	

HBP Performance					
Temperature °F	14	23	32	45	50
Capacity BTU/Hr	2,318	2,782	3,321	4,255	4,659
Power W	463	510	557	619	647
Current Amps	5.36	5.75	6.14	6.69	6.90
Temperature °C	-10	-5	0	7.2	10
Capacity Kcal/Hr	584	701	837	1,72	1,174

LBP Rating		Rating Point (Bolded above)	HBP Rating	
Condensing	130°F		Condensing	130°F
Evaporator	-10°F		Evaporator	45°F
Return Gas	90°F		Return Gas	95°F
Ambient	90°F		Ambient	95°F
Liquid Temp.	90°F		Liquid Temp.	115°F

Material	Part number	Description	Compressor Cross Ref.
Compressor	957MG92		Model Appl.
Relay	2271126		AEA9422ZXA MBP, HST
Overload	2324055		
Start Cap	2252282	145-174 mfd / 250v	
Grommet	2221003		
Sleeve	2222015		

EMBRACO NORTH AMERICA, INC.
2800 Vista Ridge Dr. Suite 100, Suwanee Ga, 30024 Phone: 678-804-1337