

embraco

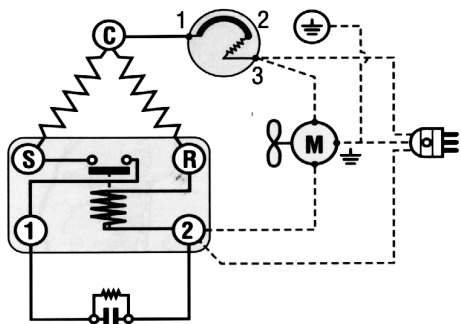
NEK6210GK

MBP-HBP

115 V

404A

Wiring Diagram



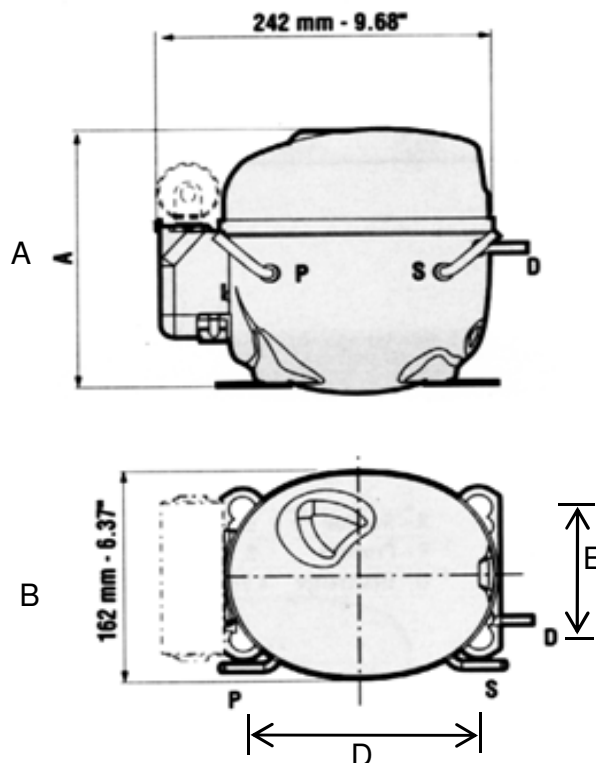
Compressor Terminals

- C = Common
- R = Run
- S = Start

Electrical components are supplied unassembled. Use of components other than specified will void warranty.

Dimensions (inches)

A: 7.9" B: 6.37" C: 9.68" D: 6.5" E: 4"



Tube Diameter

ID	Inch	MM
process	.254	6.45
suction	.316	8.03
discharge	.254	6.45

Technical Specifications

Rev 10/12

Mechanical Data	English	Metric	Electrical Data	
Bore	1.04 in	26.5 mm	motor: 2 pole - 1 phase	CSIR
Stroke	.63 in	15.92 mm	voltage	115v / 60Hz
Displacement	.535 cu. In	8.77 cc	voltage range	103-127v
Speed	3,500 rpm	3,500 rpm	run winding resistance at 25°C	.96 Ω
Weight	24.25 lb	11 kg	start winding resistance at 25°C	6.1 Ω
Oil Charge	11.84 oz.	350 ml	locked rotor current	38 amps

Compressor Cooling:

Fan cooled by forced draft over shell with 6 watt minimum fan.

Restrictor:

Expansion valve or capillary tube

capacitor:

capacitance 189-227 mfd
voltage 165v

embraco	NEK6210GK	MBP-HBP	115 V	404A
Specifications Approximate H. P. 1/2 Starting Torque High Refrigerant 404A Evaporator Temperature Med-High Evaporator Temperature -4° to 50°F			Usage Drinking Water Coolers Dehumidifiers Ice Machines Reach In Refrigerators Beer Coolers	

HBP Performance					
Temperature °F	14	23	32	45	50
Capacity BTU/Hr	2,815	3,413	4,124	5,355	5,886
Power W	563	620	676	756	786
Current Amps	6.60	7.05	7.51	8.18	8.44
Temperature °C	-10	-5	0	7.2	10
Capacity Kcal/Hr	709	860	1,039	1,349	1,483

LBP Rating		Rating Point (Bolded above)	HBP Rating	
Condensing	130°F		Condensing	130°F
Evaporator	-10°F		Evaporator	45°F
Return Gas	90°F		Return Gas	95°F
Ambient	90°F		Ambient	95°F
Liquid Temp.	90°F		Liquid Temp.	115°F

Material	Part number	Description	Compressor Cross Ref.
Compressor	958CG71		Model Appl.
Relay	2271128		
Overload	2324025		
Start Cap	2252320	189-227 mfd / 165v	
Grommet	2221003		
Sleeve	2222015		

EMBRACO NORTH AMERICA, INC.
2800 Vista Ridge Dr. Suite 100, Suwanee Ga, 30024 Phone: 678-804-1337