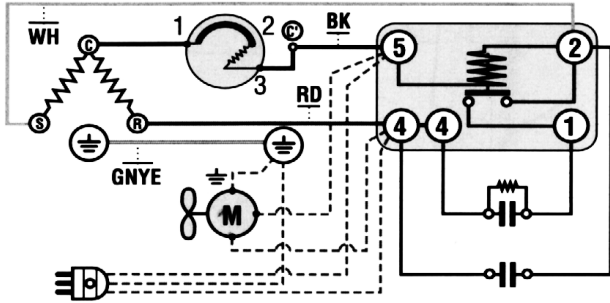


**Wiring Diagram**



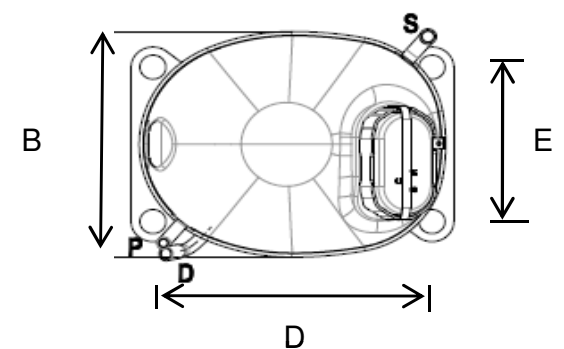
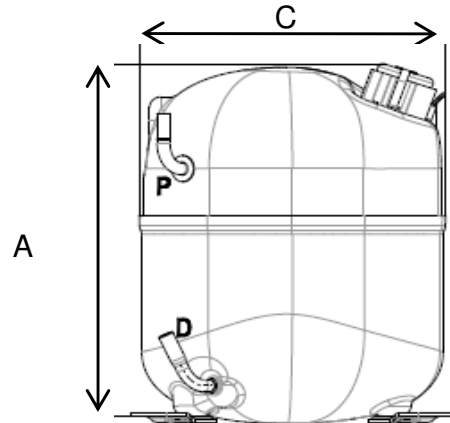
**Compressor Terminals**

- C = Common
- R = Run
- S = Start

Electrical components are supplied unassembled. Use of components other than specified will void warranty.

**Dimensions (inches)**

A:10.9" B: 7.05" C: 8.81" D: 8" E: 4.8"




**Tube Diameter**

ID	Inch	MM
process	.378	9.6
suction	.503	12.77
discharge	.315	8

**Technical Specifications**

Rev 10/12

Mechanical Data	English	Metric	Electrical Data	
Bore	1.64 in	41.77 mm	<b>motor:</b> 2 pole - 1 phase	CSCR
Stroke	.75 in	19.07 mm	voltage	115 / 60
Displacement	1.593 cu. In	26.11 cc	voltage range	103-127v
Speed	3,500 rpm	3,500 rpm	run winding resistance at 25° C	N/A
Weight	43.65 lb	19.8 kg	start winding resistance at 25° C	N/A
Oil Charge	25.36 oz.	750 ml	locked rotor current	N/A
<b>Compressor Cooling:</b> Fan cooled by forced draft over shell with 6 watt minimum fan.				
<b>Restrictor:</b> Capillary tube or Expansion valve			<b>Capacitor:</b>	
			Start Cap	400-480 mfd 125v
			Run Cap	20 mfd 440v

	<b>NJ2192GK</b>	<b>LBP</b>	<b>115 v</b>	<b>404A</b>
<b>Specifications</b> Approximate H. P. 1 1/4 Starting Torque High Refrigerant 404A Evaporator Temperature Low Evaporator Temperature -40° to 14°F			<b>Usage</b> Drinking Water Coolers Dehumidifiers Ice Machines Reach In Refrigerators Beer Coolers	

<b>LBP Performance</b>					
<b>Temperature °F</b>	-22	<b>-10</b>	-4	5	14
<b>Capacity BTU/Hr</b>	3,022	<b>4,500</b>	5,388	6,894	8,653
<b>Power W</b>	771	<b>1,012</b>	1,129	1,315	1,507
<b>Current Amps</b>	10.73	<b>12.4</b>	13.27	14.72	16.29
<b>Temperature °C</b>	-30	<b>-23.3</b>	-20	-15	-10
<b>Capacity Kcal/Hr</b>	762	<b>1,134</b>	1,358	1,737	2,181

<b>LBP Rating</b>		<b>Rating Point (Bolded above)</b>	<b>HBP Rating</b>	
Condensing	130°F		Condensing	130°F
Evaporator	-10°F		Evaporator	45°F
Return Gas	90°F		Return Gas	95°F
Ambient	90°F		Ambient	95°F
Liquid Temp.	90°F		Liquid Temp.	115°F

<b>Material</b>	<b>Part number</b>	<b>Description</b>	<b>Compressor Cross Ref.</b>	
			<b>Model</b>	<b>Appl.</b>
Compressor	943AG01			
Relay	1253001			
Overload	Internal			
Start Cap	2252317	400-480 mfd / 125v		
Run Cap	2253312	20 mfd / 440v		
Grommet	2221004			
Sleeve	2222016			

**EMBRACO NORTH AMERICA, INC.**  
 2800 Vista Ridge Dr. Suite 100, Suwanee Ga, 30024 Phone: 678-804-1337