

embraco

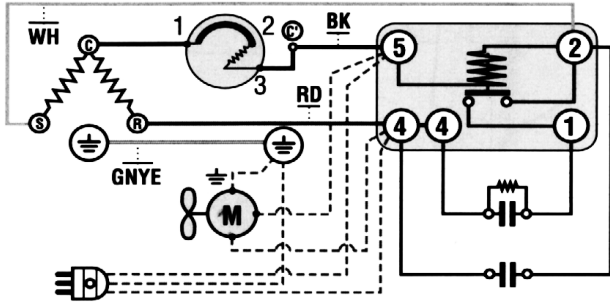
NJ2212GK

LBP

115 v

404A

Wiring Diagram



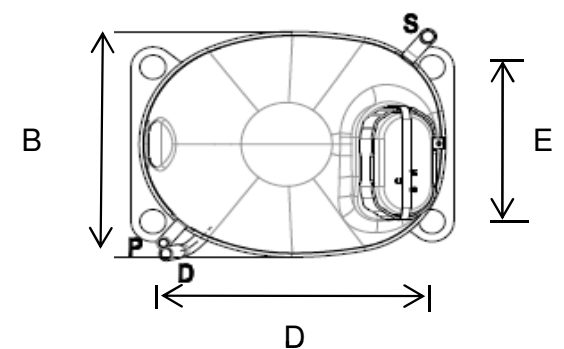
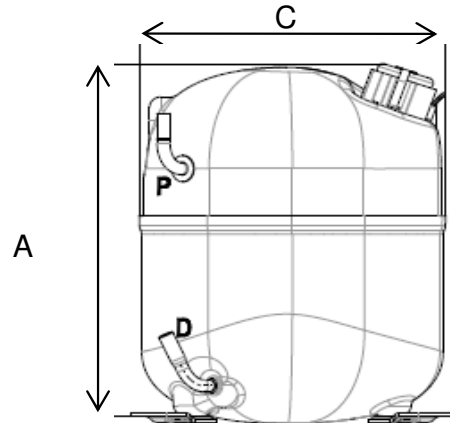
Compressor Terminals

- C = Common
- R = Run
- S = Start

Electrical components are supplied unassembled. Use of components other than specified will void warranty.

Dimensions (inches)

A:10.9" B: 7.05" C: 8.81" D: 8" E: 4.8"




Tube Diameter

| ID | Inch | MM |
|-----------|------|-------|
| process | .253 | 6.42 |
| suction | .503 | 12.77 |
| discharge | .315 | 8 |

Technical Specifications

Rev 8-2013

| Mechanical Data | English | Metric | Electrical Data | |
|----------------------------------------------------------------------------------------------|--------------|-----------|--------------------------------------------------------------------------------------|--------------|
| Bore | 1.69 in | 42.85 mm | Motor: 2 pole - 1 phase | CSR |
| Stroke | .94 in | 23.85 mm | Voltage | 115 / 60 |
| Displacement | 2.098 cu. In | 34.38 cc | Voltage range | 103-127v |
| Speed | 3,500 rpm | 3,500 rpm | Run winding resistance at 25° C | N/A |
| Weight | 47.29 lb | 21.45 kg | Start winding resistance at 25° C | N/A |
| Oil Charge | 25.36 oz. | 750 ml | Locked rotor current | N/A |
| Oil Type | Polyolester | ISO22 | | |
| Compressor Cooling: Fan cooled by forced draft over shell with 6 watt minimum fan. | | | | |
| Restrictor: Capillary tube or Expansion valve | | | Capacitor: Start Cap 400-480 mfd Run Cap 20 mfd | 125V 440V |

| | | | | |
|-------------------------------------------------------------------------------------------------------------------------------------------------------------------|-----------------|------------|-------------------------------------------------------------------------------------------------------------------|-------------|
|  | NJ2212GK | LBP | 115V | 404A |
| Specifications Approximate H. P. 1 1/2 Starting Torque High Refrigerant 404A Evaporator Temperature Low Evaporator Temperature -40° to 14°F | | | Usage Drinking Water Coolers Dehumidifiers Ice Machines Reach In Refrigerators Beer Coolers | |

| LBP Performance | | | | | |
|-------------------------|-------|--------------|-------|-------|--------|
| Temperature °F | -22 | -10 | -4 | 5 | 14 |
| Capacity BTU/Hr | 3,452 | 5,444 | 6,456 | 8,220 | 10,181 |
| Power W | 976 | 1,312 | 1,473 | 1,729 | 1,989 |
| Current Amps | 11.55 | 13.82 | 15.07 | 17.18 | 19.52 |
| Temperature °C | -30 | -23.3 | -20 | -15 | -10 |
| Capacity Kcal/Hr | 870 | 1,372 | 1,627 | 2,072 | 2,565 |

| LBP Rating | ASHRAE | Rating Point (Bolded above) | HBP Rating | ASHRAE |
|-------------------|---------------|----------------------------------------|-------------------|---------------|
| Condensing | 130°F | | Condensing | N/A |
| Evaporator | -10°F | | Evaporator | N/A |
| Return Gas | 90°F | | Return Gas | N/A |
| Ambient | 90°F | | Ambient | N/A |
| Liquid Temp. | 90°F | | Liquid Temp. | N/A |

| Material | Part number | Description | Compressor Cross Ref. | |
|-----------------|--------------------|--------------------|------------------------------|--------------|
| | | | Model | Appl. |
| Compressor | 943BG11 | NJ2212GK | | |
| Relay | 1253001 | RVA2AE3C-105 | | |
| Overload | Internal | | | |
| Start Cap | 2252317 | 400-480 mfd / 125V | | |
| Run Cap | 2253312 | 20 mfd / 440V | | |
| *Electrical box | 1272239 | | | |
| Grommet | 2221004 | | | |
| Sleeve | 2222016 | | | |

*Contains relay, harness, start and run cap

EMBRACO NORTH AMERICA, INC.
 2800 Vista Ridge Dr. Suite 100, Suwanee Ga, 30024 Phone: 678-804-1337