

**embraco**

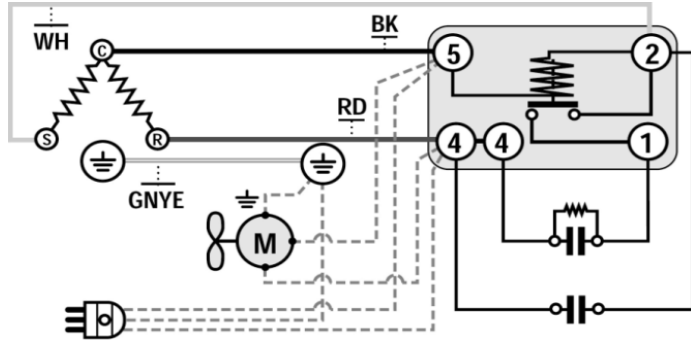
**NJ9232GK2**

**MBP**

**208-230**

**404A**

**Wiring Diagram**



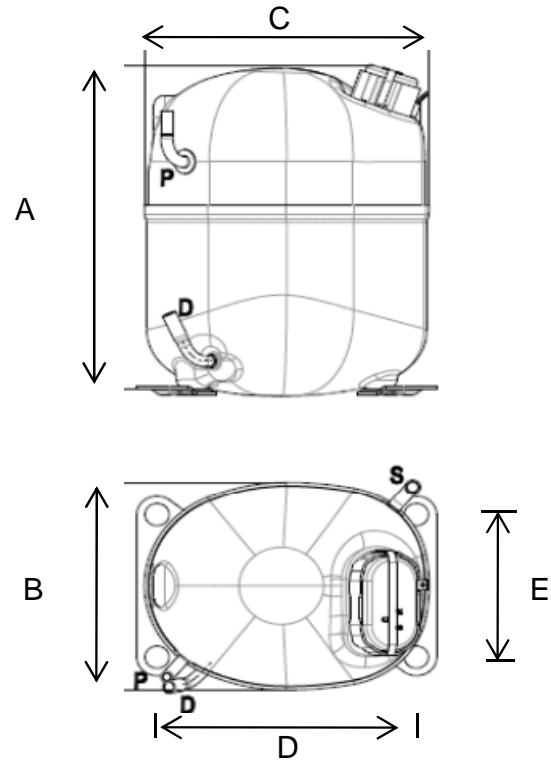
**Compressor Terminals**

- C = Common
- R = Run
- S = Start

Electrical components are supplied unassembled. Use of components other than specified will void warranty.

**Dimensions (inches)**

A: 10.9" B: 7.05" C: 8.81" D: 8" E: 4.8"



**Tube Diameter**

ID	Inch	MM
Process	.253-1/4	6.42
Suction	.503-1/2	12.77
Discharge	.315-5/16	8

**Technical Specifications**

Rev 4-2018

Mechanical Data	English		Metric		Electrical Data	
	English	Metric	English	Metric	English	Metric
Bore	1.64 in	41.77 mm	Motor:		CSR	
Stroke	.75 in	19.066 mm	Voltage		208-230V	
Displacement	1.593 cu. In	26.11 cc	Voltage range		187-244V	
Speed	3,500 rpm	3,500 rpm	Run winding resistance at 25° C		1.23 Ω	
Weight	47.40 lb	21.5 kg	Start winding resistance at 25° C		5.56 Ω	
Oil Charge	25.36 fl. oz.	750 ml	Locked rotor current		47 amps	
Oil Type	POE	ISO22	FLA: MBP-60Hz		9 amps	

**Compressor Cooling:**

Fan cooled by forced draft over shell with 6 watt minimum fan.

**Restrictor:**

Expansion valve or capillary tube

**Capacitor:**

Start Cap	88-108 mfd	330V
Run Cap	20 mfd	440V

<b>embraco</b>	<b>NJ9232GK2</b>	<b>MBP</b>	<b>208-230</b>	<b>404A</b>
<b>Specifications</b> Approximate H. P. 1 1/4 Starting Torque High Refrigerant 404A Evaporator Temperature Med Evaporator Temperature '-4° to 32°F			<b>Usage</b> Drinking Water Coolers Dehumidifiers Ice Machines Reach In Refrigerators Beer Coolers	

<b>HBP Performance 208V</b>					
<b>Evaporator Temp.°F</b>	-4	5	14	<b>20</b>	32
<b>Capacity BTU/Hr</b>	4,470	5,934	7,687	<b>9,066</b>	12,064
<b>Power W</b>	1,088	1,258	1,424	<b>1,512</b>	1,742
<b>Current Amps</b>	5.92	6.62	7.32	<b>7.69</b>	8.71
<b>Evaporator Temp.°C</b>	-20	-15	-10	<b>-6.7</b>	0
<b>Capacity Kcal/Hr</b>	1,127	1,495	1,937	<b>2,285</b>	3,040

<b>LBP Rating</b>	<b>N/A</b>	<b>Rating Point (Bolded above)</b>	<b>MBP Rating</b>	<b>ASHRAE</b>
Condensing			Condensing	130°F
Evaporator			Evaporator	20°F
Return Gas			Return Gas	95°F
Ambient			Ambient	95°F
Liquid Temp.			Liquid Temp.	115°F

<b>Material</b>	<b>Part number</b>	<b>Description</b>	<b>Compressor Cross Ref.</b>	
Compressor	943FD11	NJ9232GK2	Model	Appl.
Relay	1253010-ESP	RVA2L3C-112		
Overload	Internal			
Start Cap	2252269-ESP	88-108 mfd/330V		
Run Cap	2253312-ESP	20 mfd/440V		
Electrical box	1262108	Start components less overload		
Grommet	2221004			
Sleeve	2222016			

**EMBRACO NORTH AMERICA, INC.**  
 1610 Satellite Blvd. Suite B, Duluth Ga, 30097 Phone: 678-805-3074