

embraco

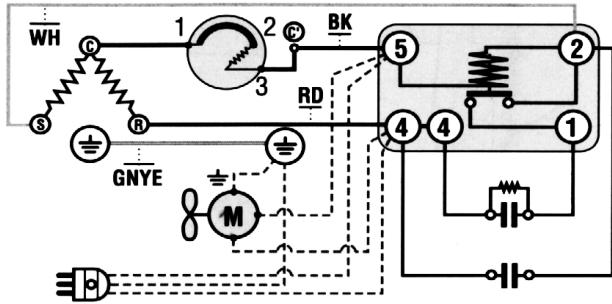
NT2168GKV

LBP

115V

404A

Wiring Diagram



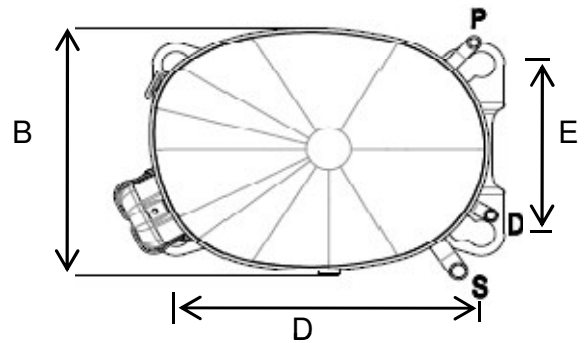
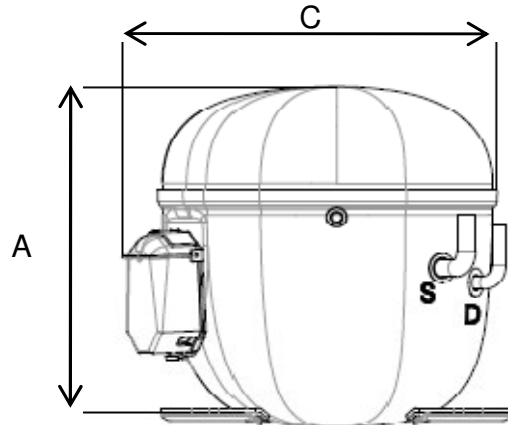
Compressor Terminals

- C = Common
- R = Run
- S = Start

Electrical components are supplied unassembled. Use of components other than specified will void warranty.

Dimensions (inches)

A:8.7" B: 7" C: 10" D: 8" E: 4.8"



Tube Diameter

ID	Inch	MM
process	.253	6.42
suction	.378	9.6
discharge	.253	6.42

Technical Specifications

Rev 10/12

Mechanical Data	English	Metric	Electrical Data	
Bore	1.34 in	34.12 mm	motor: 2 pole - 1 phase	CSCR
Stroke	.62 in	15.87 mm	voltage	115v / 60 Hz
Displacement	.885 cu. In	14.5 cc	voltage range	103-127v
Speed	3,500 rpm	3,500 rpm	run winding resistance at 25°C	.43 Ω
Weight	37.48 lb	17 kg	start winding resistance at 25°C	2.66 Ω
Oil Charge	15.22 oz.	450 ml	locked rotor current	N/A

Compressor Cooling:


Fan cooled by forced draft over shell with 6 watt minimum fan.

Restrictor:

Capillary tube or Expansion valve

Capacitor:

Start Cap	243-292 mfd	165v
Run Cap	35 mfd	440v

	NT2168GKV	LBP	115 V	404A
Specifications Approximate H. P. 3/4 Starting Torque High Refrigerant 404A Evaporator Temperature Low Evaporator Temperature -40° to 14°F			Usage Drinking Water Coolers Dehumidifiers Ice Machines Reach In Refrigerators Beer Coolers	

LBP Performance					
Temperature °F	-22	-10	-4	5	14
Capacity BTU/Hr	1,787	2,628	3,109	3,919	4,821
Power W	509	635	701	806	918
Current Amps	7.35	8.05	8.56	9.34	10.25
Temperature °C	-30	-23.3	-20	-15	-10
Capacity Kcal/Hr	450	662	783	987	1,215

LBP Rating		Rating Point (Bolded above)	HBP Rating	
Condensing	130°F		Condensing	130°F
Evaporator	-10°F		Evaporator	45°F
Return Gas	90°F		Return Gas	95°F
Ambient	90°F		Ambient	95°F
Liquid Temp.	90°F		Liquid Temp.	115°F

Material	Part number	Description	Compressor Cross Ref.	
			Model	Appl.
Compressor	922IG02			
Relay	1253050			
Overload	2291048			
Start Cap	2252273	243-292 mfd / 165v		
Run Cap	2253315	35 mfd / 440v		
Grommet	2221004			
Sleeve	2222016			

EMBRACO NORTH AMERICA, INC.
 2800 Vista Ridge Dr. Suite 100, Suwanee Ga, 30024 Phone: 678-804-1337