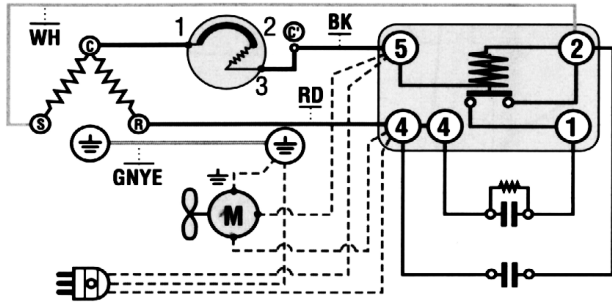


**Wiring Diagram**



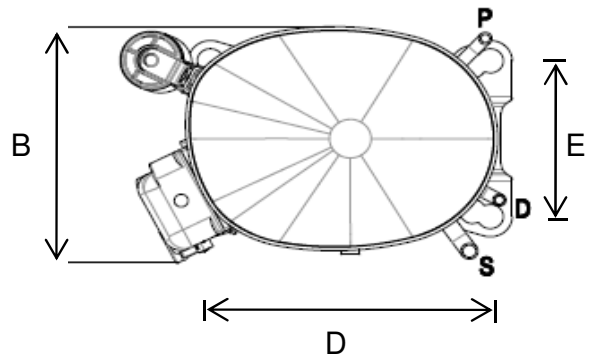
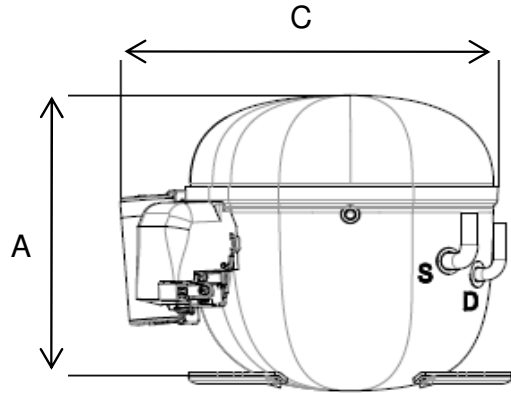
**Compressor Terminals**

- C = Common
- R = Run
- S = Start

Electrical components are supplied unassembled. Use of components other than specified will void warranty.

**Dimensions (inches)**

A:9.2" B: 7.3" C: 10.7" D: 8" E: 4.8"



**Tube Diameter**

ID	Inch	MM
Process	.253-1/4	6.42
Suction	.378-3/8	9.6
Discharge	.253-1/4	6.42

**Technical Specifications**

Rev 11-2015

Mechanical Data	English	Metric	Electrical Data	
Bore	1.46 in	36.99 mm	<b>Motor:</b> 2 pole - 1 phase	CSR
Stroke	.75 in	19.03 mm	Voltage	208-230
Displacement	1.247 cu. In	20.44 cc	Voltage range	187-253
Speed	3,500 rpm	3,500 rpm	Run winding resistance at 25° C	1.42 Ω
Weight	38.36 lb	17.4 kg	Start winding resistance at 25° C	6.18 Ω
Oil Charge	15.22 oz.	450 ml	Locked rotor current	40 amps
Oil Type	POE	ISO22	FLA: LBP-60Hz	5.8 amps

**Compressor Cooling:**

Fan cooled by forced draft over shell with 6 watt minimum fan.

**Restrictor:**

Capillary tube or Expansion valve

**Capacitor:**

Start Cap	130-156 mfd	330V
Run Cap	10 mfd	440V

<b>embraco</b>	<b>NT2180GKV</b>	<b>LBP</b>	<b>208-230</b>	<b>404A</b>
<b>Specifications</b> Approximate H. P. 1 Starting Torque High Refrigerant 404A Evaporator Temperature Low Evaporator Temperature -40° to 14°F			<b>Usage</b> Drinking Water Coolers Dehumidifiers Ice Machines Reach In Refrigerators Beer Coolers	

<b>LBP Performance 208V</b>					
<b>Temperature °F</b>	-22	<b>-10</b>	-4	5	14
<b>Capacity BTU/Hr</b>	2,653	<b>3,962</b>	4,604	5,776	7,094
<b>Power W</b>	692	<b>880</b>	959	1,098	1,241
<b>Current Amps</b>	3.33	<b>4.5</b>	4.64	5.37	6.18
<b>Temperature °C</b>	-30	<b>-23.3</b>	-20	-15	-10
<b>Capacity Kcal/Hr</b>	669	<b>998</b>	1,160	1,455	1,788

<b>LBP Rating</b>	<b>ASHRAE</b>	<b>Rating Point (Bolded above)</b>	<b>HBP Rating</b>	
Condensing	130°F		Condensing	N/A
Evaporator	-10°F		Evaporator	N/A
Return Gas	90°F		Return Gas	N/A
Ambient	90°F		Ambient	N/A
Liquid Temp.	90°F		Liquid Temp.	N/A

<b>Material</b>	<b>Part number</b>	<b>Description</b>	<b>Compressor Cross Ref.</b>	
Compressor	923MD04	NT2180GKV2	<b>Model</b>	<b>Appl.</b>
Relay	1253010		AJA2425ZXD	LBP, HST
Overload	2321091			
Start Cap	2252274	130-156 mfd / 330V		
Run Cap	2253316	10 mfd / 440V		
Electrical Box	1272292			
Grommet	2221004			
Sleeve	2222016			

**EMBRACO NORTH AMERICA, INC.**  
1610 Satellite Blvd. Suite B, Duluth Ga, 30097 Phone: 678-805-3074