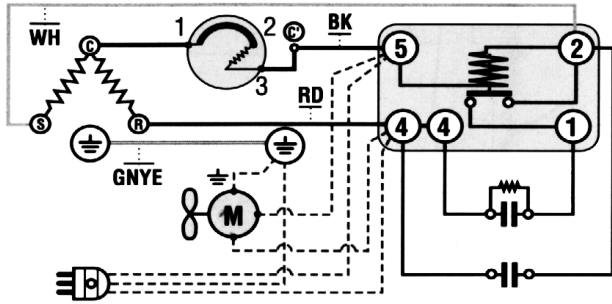


**Wiring Diagram**



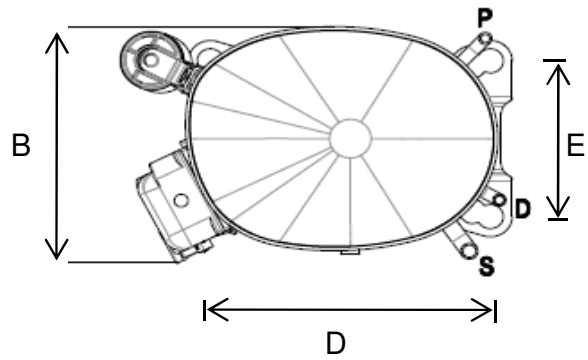
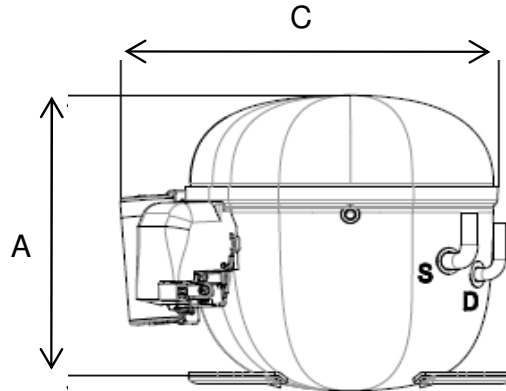
**Compressor Terminals**

- C = Common
- R = Run
- S = Start

Electrical components are supplied unassembled. Use of components other than specified will void warranty.

**Dimensions (inches)**

A:9.2" B: 7" C: 10" D: 8" E: 4.8"



**Tube Diameter**

ID	Inch	MM
process	.253	6.42
suction	.378	9.6
discharge	.253	6.42

**Technical Specifications**

Rev 8-2013

Mechanical Data	English	Metric	Electrical Data	
Bore	1.46 in	36.99 mm	<b>Motor:</b> 2 pole - 1 phase	CSR
Stroke	.82 in	20.83 mm	Voltage	208-230V / 60
Displacement	1.365 cu. In	22.37 cc	Voltage range	187-244V
Speed	3,500 rpm	3,500 rpm	Run winding resistance at 25° C	1.29 Ω
Weight	39.68 lb	18 kg	Start winding resistance at 25° C	5.64 Ω
Oil Charge	15.22 oz.	450 ml	Locked rotor current	40 Amps
Oil type	Polyolester	ISO22		
<b>Compressor Cooling:</b> Fan cooled by forced draft over shell with 6 watt minimum fan.				
<b>Restrictor:</b> Capillary tube or Expansion valve			<b>Capacitor:</b> Start Cap            88-108 mfd            330V Run Cap              15 mfd                    440v	

<b>embraco</b>	<b>NT2192GKV</b>	<b>LBP</b>	<b>208-230</b>	<b>404A</b>
<b>Specifications</b> Approximate H. P. 1 Starting Torque High Refrigerant 404A Evaporator Temperature Low Evaporator Temperature -40° to 14°F			<b>Usage</b> Drinking Water Coolers Dehumidifiers Ice Machines Reach In Refrigerators Beer Coolers	

<b>LBP Performance ARI</b>					
<b>Temperature °F</b>	-22	<b>-10</b>	-4	5	14
<b>Capacity BTU/Hr</b>	2,416	<b>3,246</b>	4,264	5,368	6,593
<b>Power W</b>	731	<b>909</b>	977	1,098	1,220
<b>Current Amps</b>	3.59	<b>4.31</b>	4.59	5.11	5.64
<b>Temperature °C</b>	-30	<b>-23.3</b>	-20	-15	-10
<b>Capacity Kcal/Hr</b>	609	<b>818</b>	1,074	1,353	1,661

<b>LBP Rating</b>	<b>ARI</b>	<b>Rating Point (Bolded above)</b>	<b>HBP Rating</b>	N/A
Condensing	120°F		Condensing	
Evaporator	-10°F		Evaporator	
Return Gas	40°F		Return Gas	
Ambient	95°F		Ambient	
Liquid Temp.	120°F		Liquid Temp.	

<b>Material</b>	<b>Part number</b>	<b>Description</b>	<b>Compressor Cross Ref.</b>	
			<b>Model</b>	<b>Appl.</b>
Compressor	923DD04	NT2192GKV		
Relay	1253026	RVA3AN3C-647		
Overload	2321091	TO590/G9		
Start Cap	2252269	88-108 mfd / 330V		
Run Cap	2253310	15 mfd / 440v		
Grommet	2221004			
Sleeve	2222016			

**EMBRACO NORTH AMERICA, INC.**  
2800 Vista Ridge Dr. Suite 100, Suwanee Ga, 30024 Phone: 678-804-1337