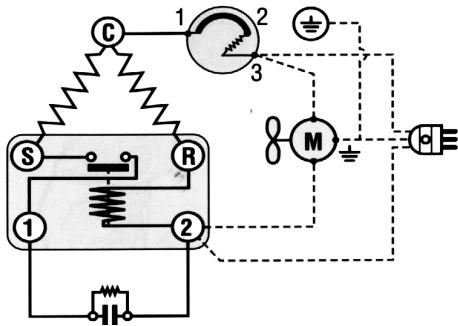


Wiring Diagram



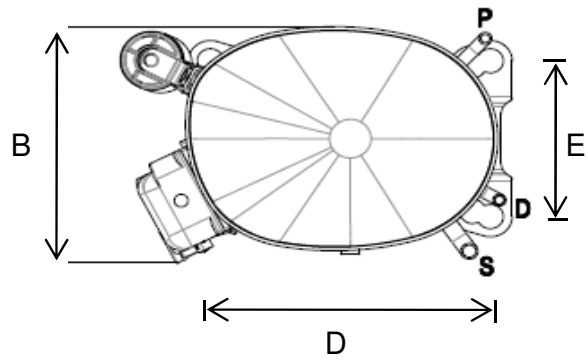
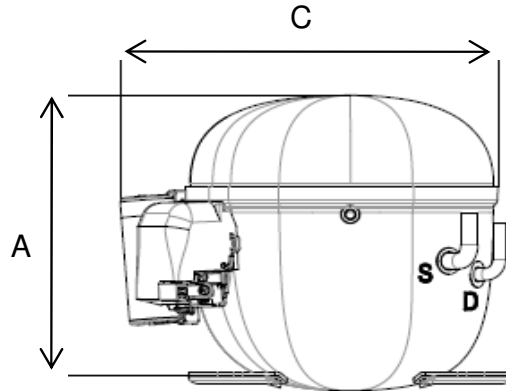
Compressor Terminals

- C = Common
- R = Run
- S = Start

Electrical components are supplied unassembled. Use of components other than specified will void warranty.

Dimensions (inches)

A:8.7" B: 7.3" C: 10.7" D: 8" E: 4.8"



Tube Diameter

ID	Inch	MM
process	.378-3/8	9.6
suction	.378-3/8	9.6
discharge	.253-1/4	6.42

Technical Specifications

Rev 1-2014

Mechanical Data	English	Metric	Electrical Data	
Bore	1.25 in	31.74 mm	Motor: 2 pole - 1 phase	CSIR
Stroke	.62 in	15.87 mm	Voltage	115v / 60Hz
Displacement	.766 cu. In	12.55 cc	Voltage range	103-127v
Speed	3,500 rpm	3,500 rpm	Run winding resistance at 25° C	.51 Ω
Weight	37.48 lb	17 kg	Start winding resistance at 25° C	2.62 Ω
Oil Charge	15.22 oz.	450 ml	Locked rotor current	50 Amps
Oil Type	POE	ISO22	FLA: MBP-60Hz	9 amps
Compressor Cooling: Fan cooled by forced draft over shell with 6 watt minimum fan.				
Restrictor: Capillary tube or Expansion valve			Capacitor:	
			Start Cap	243-292 mfd 250V
			Run Cap	N/A N/A

embraco	NT6217GKV	MBP-HBP	115V	404A
Specifications Approximate H. P. 3/4 Starting Torque High Refrigerant 404A Evaporator Temperature Med/High Evaporator Temperature -4° to 50°F			Usage Drinking Water Coolers Dehumidifiers Ice Machines Reach In Refrigerators Beer Coolers	

MBP Performance ARI					
Temperature °F	14	20	23	32	41
Capacity BTU/Hr	3,382	3,511	4,156	5,088	6,183
Power W	752	816	806	861	914
Current Amps	8.59	9.10	9.02	9.46	9.91
Temperature °C	-10	-6.7	-5	0	5
Capacity Kcal/Hr	852	885	1,047	1,282	1,558

MBP	ARI		Rating Point (Bolded above)	HBP Rating	Ashrae
Condensing	120°F			Condensing	N/A
Evaporator	20°F			Evaporator	N/A
Return Gas	40°F			Return Gas	N/A
Ambient	95°F			Ambient	N/A
Liquid Temp.	120°F			Liquid Temp.	N/A

Material	Part number	Description	Compressor Cross Ref.	
			Model	Appl.
Compressor	922NG04	NT6217GKV		
Relay	2271146	MTRPH-67-31		
Overload	2324004	MRT00AEK-3266 ; TO815/J5		
Start Cap	2252377	243-292 mfd / 250v		
Run Cap	N/A			
Grommet	2221004			
Sleeve	2222016			

EMBRACO NORTH AMERICA, INC.
2800 Vista Ridge Dr. Suite 100, Suwanee Ga, 30024 Phone: 678-804-1337