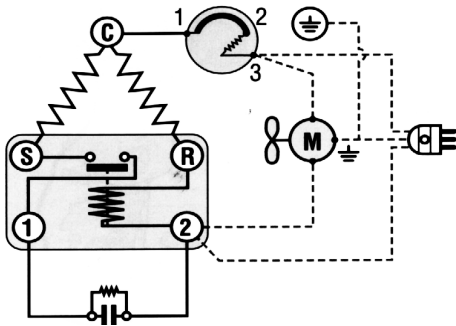


Wiring Diagram



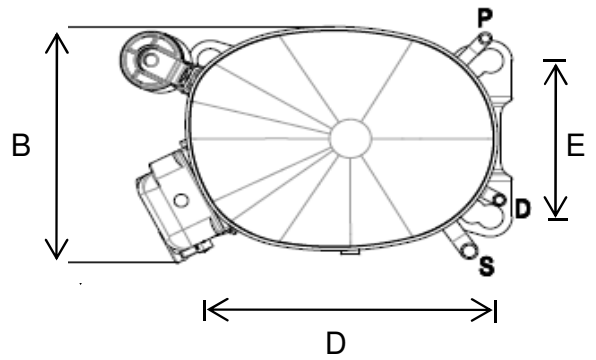
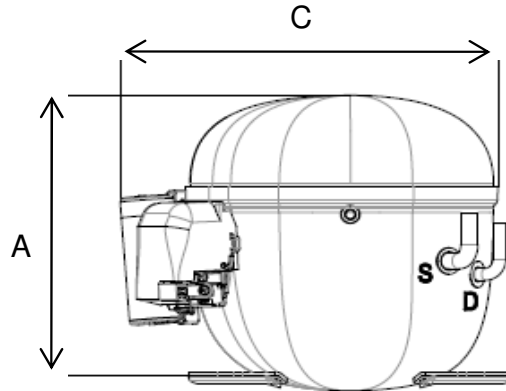
Compressor Terminals

- C = Common
- R = Run
- S = Start

Electrical components are supplied unassembled. Use of components other than specified will void warranty.

Dimensions (inches)

A:8.7" B: 7.3" C: 10.7" D: 8" E: 4.8"



Tube Diameter

ID	Inch	MM
Process	.253-1/4	6.42
Suction	.378-3/8	9.6
Discharge	.253-1/4	6.42

Technical Specifications

Rev 8-2016

Mechanical Data	English	Metric	Electrical Data	
Bore	1.46 in	36.99 mm	Motor:	CSIR
Stroke	.75 in	19.03 mm	Voltage	208-230
Displacement	1.247 cu. In	20.44 cc	Voltage range	187-253
Speed	3,500 rpm	3,500 rpm	Run winding resistance at 25 °C	1.84 Ω
Weight	36.82 lb	16.7 kg	Start winding resistance at 25 °C	6.03 Ω
Oil Charge	15.22 oz.	450 ml	Locked rotor current	31 amps
Oil type	POE	ISO22	FLA:MBP/HBP-60Hz	6.4 amps

Compressor Cooling:

Fan cooled by forced draft over shell with 6 watt minimum fan.

Restrictor:

Capillary tube or Expansion valve

Capacitor:

Start cap	64-77 mfd	330V
Run cap	N/A	N/A

embraco	NT6217Z2	MBP-HBP	208-230	134a
Specifications Approximate H. P. 3/4 Starting Torque High Refrigerant 134a Evaporator Temperature Med/High Evaporator Temperature 5° to 50°F			Usage Drinking Water Coolers Dehumidifiers Ice Machines Reach In Refrigerators Beer Coolers	

Performance ASHRAE MBP					
Temperature °F	14	20	32	45	50
Capacity BTU/Hr		4,330		7,460	
Power W		667		990	
Current Amps		4.79		5.6	
Temperature °C	-10	-6.7	0	7.2	10
Capacity Kcal/Hr		921		1,880	

MBP Rating	ASHRAE	Rating Point (Bolded above)	HBP Rating	ASHRAE
Condensing	130°F		Condensing	130°F
Evaporator	20°F		Evaporator	45°F
Return Gas	95°F		Return Gas	95°F
Ambient	95°F		Ambient	95°F
Liquid Temp.	115°F		Liquid Temp.	115°F

Material	Part number	Description	Compressor Cross Ref.	
			Model	Appl.
Compressor	212BD06	NT6217Z	AKA4460YXD	HBP, HST
Relay	2271137	MTRPH-59-31		
Overload	2324103	TO925/J5		
Start Cap	2252365	64-77 mfd / 330V		
Grommet	2221004			
Sleeve	2222016			

EMBRACO NORTH AMERICA, INC.
1610 Satellite Blvd. Suite B, Duluth Ga, 30097 Phone: 678-805-3074