

embraco

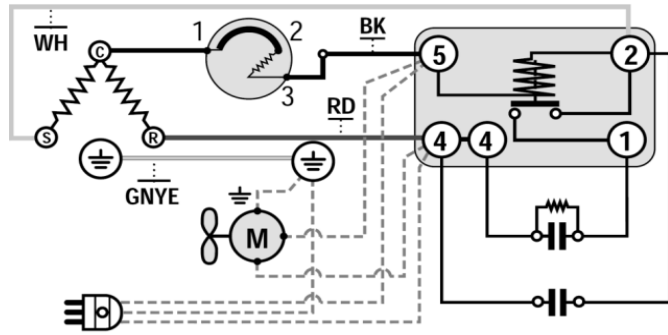
NT6220Z1

MBP-HBP

115 V

134a

Wiring Diagram



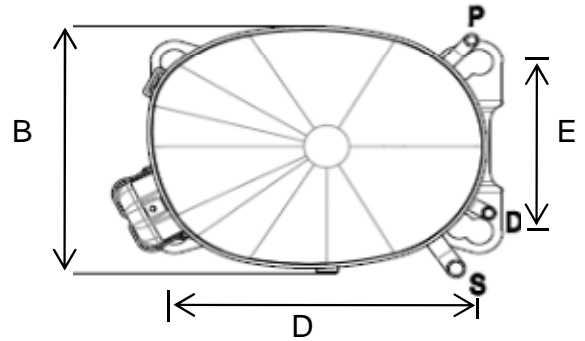
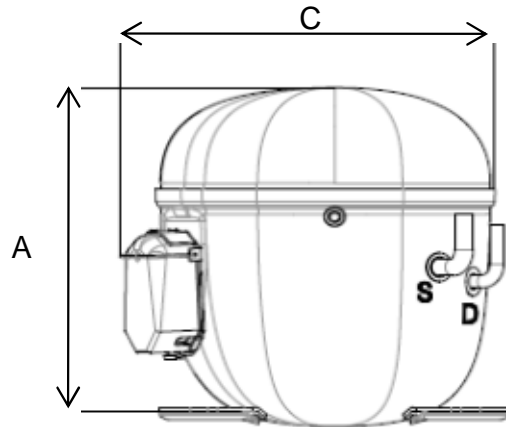
Compressor Terminals

- C = Common
- R = Run
- S = Start

Electrical components are supplied unassembled. Use of components other than specified will void warranty.

Dimensions (inches)

A: 8.7" B: 7.3" C: 10.7" D: 8" E: 4.8"



Tube Diameter

ID	Inch	MM
Process	.378-3/8"	9.6
Suction	.378-3/8"	9.6
Discharge	.253-1/4"	6.42

Technical Specifications

Rev 6-2019

Mechanical Data	English		Metric		Electrical Data	
	English	Metric	English	Metric	Electrical Data	Electrical Data
Bore	1.46 in	36.99 mm	Motor		CSR	
Stroke	.82 in	20.83 mm	Voltage		115V / 60 Hz	
Displacement	1.365 cu. In	22.37 cm ³	Voltage range		103-127V	
Speed	3,500 rpm	3,500 rpm	Run winding resistance at 25° C		.43 Ω	
Weight	37.48 lb	17 kg	Start winding resistance at 25° C		2.66 Ω	
Oil Charge	15.22 oz.	450 ml	Locked rotor current		54.5 amps	
Oil type	POE	ISO22	RLA: MBP-60Hz		11 amps	

Compressor Cooling:


Fan cooled by forced draft over shell with 6 watt minimum fan.

Restrictor:

Capillary tube or Expansion valve

Capacitor:

Start Cap	243-292 mfd	165V
Run Cap	35 mfd	440V

	NT6220Z1	MBP-HBP	115 V	134a
Specifications Approximate H. P. 1 Starting Torque High Refrigerant 134a Evaporator Temperature Med/High Evaporator Temperature 5° to 50°F			Usage Drinking Water Coolers Dehumidifiers Ice Machines Reach In Refrigerators Beer Coolers	

HBP Performance					
Temperature °F	14	23	32	45	50
Capacity BTU/Hr	3,654	4,463	5,742	8,414	9,705
Power W	715	794	895	1,074	1,167
Current Amps	8.62	9.2	9.99	11.5	12.17
Temperature °C	-10	-5	0	7.2	10
Capacity Kcal/Hr	921	1,125	1,447	2,120	2,446

LBP Rating	ASHRAE	Rating Point (Bolded above)	HBP46	ASHRAE
Condensing	130°F		Condensing	130°F
Evaporator	-10°F		Evaporator	45°F
Return Gas	90°F		Return Gas	95°F
Ambient	90°F		Ambient	95°F
Liquid Temp.	90°F		Liquid Temp.	115°F

Material	Part number	Description	Compressor Cross Ref.	
Compressor	212CG02	NT6220Z	Model	Appl.
Relay	1253050-ESP	RVA9AD3C-121	AKA4476YXA	HBP, HST
Overload	2295004-ESP	CRA1773-3029		
Start Cap	2252273-ESP	243-292 mfd / 165V		
Run Cap	2253315-ESP	35 mfd / 440V		
*Electrical Box	1262264			
Grommet	2221004			
Sleeve	2222016			

*Contains relay, capacitors, wire harness

EMBRACO NORTH AMERICA, INC.
1610 Satellite Blvd. Suite B, Duluth Ga, 30097 Phone: 678-805-3074