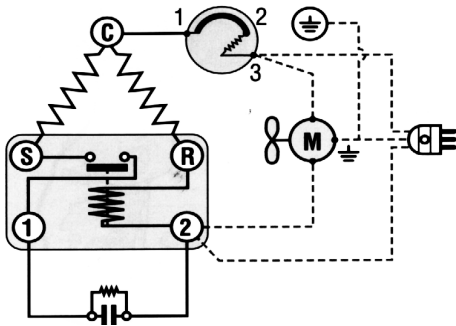


Wiring Diagram



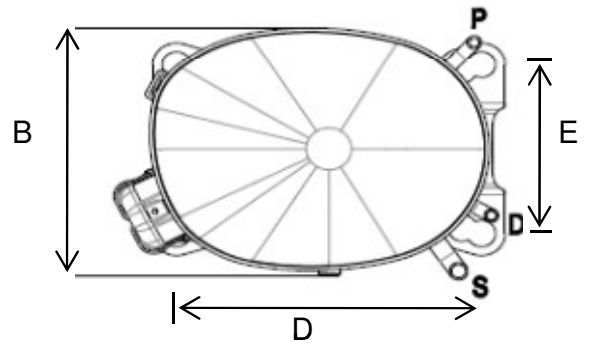
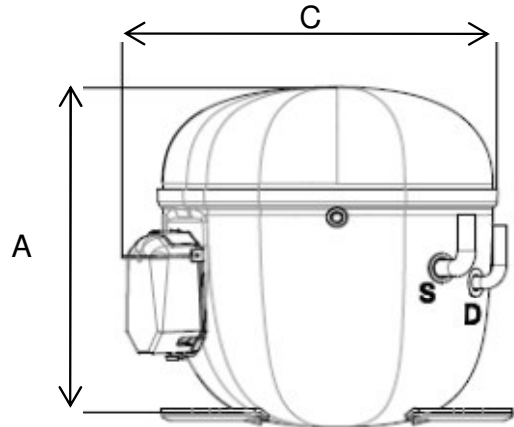
Compressor Terminals

- C = Common
- R = Run
- S = Start

Electrical components are supplied unassembled. Use of components other than specified will void warranty.

Dimensions (inches)

A:8.7" B: 7.3" C: 10.7" D: 8" E: 4.8"




Tube Diameter

ID	Inch	MM
process	.378-3/8	9.6
suction	.378-3/8	9.6
discharge	.253-1/4	6.42

Technical Specifications

Rev 12-2013

Mechanical Data	English	Metric	Electrical Data	
Bore	1.46 in	36.99 mm	Motor: 2 pole - 1 phase	CSIR
Stroke	.82 in	20.83 mm	Voltage	208-230
Displacement	1.247 cu. In	20.44 cc	Voltage range	187-253
Speed	3,500 rpm	3,500 rpm	Run winding resistance at 25° C	1.58 Ω
Weight	37.92 lb	17.2 kg	Start winding resistance at 25° C	6.60 Ω
Oil Charge	15.22 oz.	450 ml	Locked rotor current	33.7 amps
Oil Type	POE	ISO22	FLA: M/HBP-60Hz	8.5 amps
Compressor Cooling: Fan cooled by forced draft over shell with 6 watt minimum fan.				
Restrictor: Capillary tube or Expansion valve			Capacitor:	
			Start cap	88-108 mfd 330V
			Run cap	N/A N/A

	NT6220Z	MBP-HBP	208-230	134a
Specifications Approximate H. P. 1 Starting Torque High Refrigerant 134a Evaporator Temperature Med/High Evaporator Temperature 5° to 50°F			Usage Drinking Water Coolers Dehumidifiers Ice Machines Reach In Refrigerators Beer Coolers	

HBP Performance-208v					
Temperature °F	14	23	32	45	50
Capacity BTU/Hr	4,082	5,121	6,324	8,351	9,220
Efficiency BTU/Wh	5.46	6.08	6.75	7.73	8.12
Power W	748	842	938	1,080	1,135
Current Amps	5.1	5.46	5.85	6.47	6.72
Temperature °C	-10	-5	0	7.2	10
Capacity Kcal/Hr	1,029	1,291	1,594	2,104	2,324

LBP Rating	ASHRAE	Rating Point (Bolded above)	HBP Rating	ASHRAE
Condensing	N/A		Condensing	130°F
Evaporator	N/A		Evaporator	45°F
Return Gas	N/A		Return Gas	95°F
Ambient	N/A		Ambient	95°F
Liquid Temp.	N/A		Liquid Temp.	115°F

Material	Part number	Description	Compressor Cross Ref.	
Compressor	212CD04	NT6220Z	Model	Appl.
Relay	2271141	MTRPH-55-31	AKA4476YXD	HBP, HST
Overload	2324085	MST18AJN-3265		
Start Cap	2252364	88-108 mfd / 330v		
Grommet	2221004			
Sleeve	2222016			

EMBRACO NORTH AMERICA, INC.
 2800 Vista Ridge Dr. Suite 100, Suwanee Ga, 30024 Phone: 678-804-1337