

**embraco**

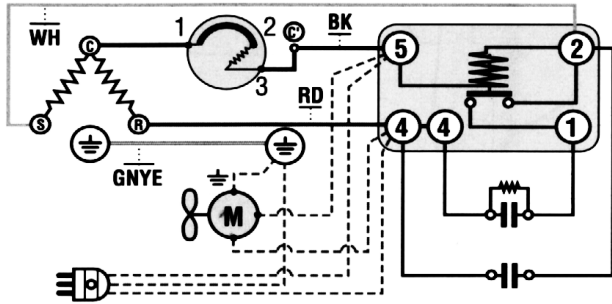
**NT6222GKV**

**MBP-HBP**

**115V**

**404A**

**Wiring Diagram**



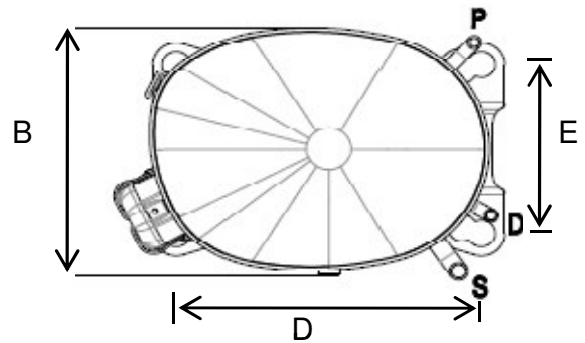
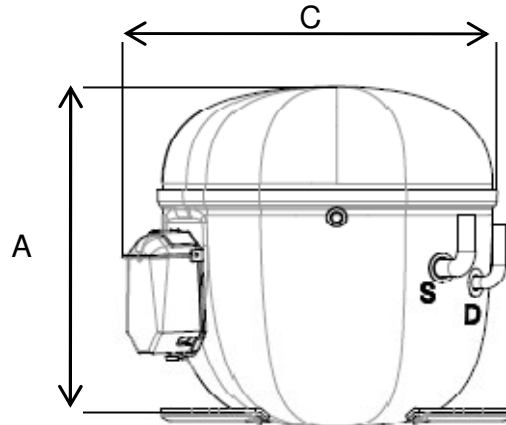
**Compressor Terminals**

- C = Common
- R = Run
- S = Start

Electrical components are supplied unassembled. Use of components other than specified will void warranty.

**Dimensions (inches)**

A:8.7" B: 7" C: 10" D: 8" E: 4.8"



**Tube Diameter**

ID	Inch	MM
process	.378	9.6
suction	.378	9.6
discharge	.253	6.42

**Technical Specifications**

Rev 10/12

Mechanical Data	English	Metric	Electrical Data	
Bore	1.34 in	34.12 mm	<b>motor:</b> 2 pole - 1 phase	CSCR
Stroke	.75 in	19.03 mm	voltage	115v / 60 Hz
Displacement	1.061 cu. In	17.39 cc	voltage range	103-127v
Speed	3,500 rpm	3,500 rpm	run winding resistance at 25°C	.40 Ω
Weight	37.48 lb	17 kg	start winding resistance at 25°C	2.60 Ω
Oil Charge	15.22 oz.	450 ml	locked rotor current	70 amps

**Compressor Cooling:**

Fan cooled by forced draft over shell with 6 watt minimum fan.

**Restrictor:**

Capillary tube or Expansion valve

**Capacitor:**

Start Cap	243-292 mfd	250v
Run Cap	35 mfd	440v

<b>embraco</b>	<b>NT6222GKV</b>	<b>MBP-HBP</b>	<b>115 V</b>	<b>404A</b>
<b>Specifications</b> Approximate H. P. 1 Starting Torque High Refrigerant 404A Evaporator Temperature Med/High Evaporator Temperature -4° to 50°F			<b>Usage</b> Drinking Water Coolers Dehumidifiers Ice Machines Reach In Refrigerators Beer Coolers	

<b>HBP Performance</b>					
<b>Temperature °F</b>	14	23	32	<b>45</b>	50
<b>Capacity BTU/Hr</b>	5,396	6,625	8,034	<b>10,376</b>	11,393
<b>Power W</b>	1,067	1,173	1,279	<b>1,429</b>	1,487
<b>Current Amps</b>	12.0	12.84	13.71	<b>15.0</b>	15.52
<b>Temperature °C</b>	-10	-5	0	<b>7.2</b>	10
<b>Capacity Kcal/Hr</b>	1,360	1,670	2,025	<b>2,615</b>	2,871

<b>LBP Rating</b>		<b>Rating Point (Bolded above)</b>	<b>HBP Rating</b>	<b>AHSRAE</b>
Condensing	130°F		Condensing	130°F
Evaporator	-10°F		Evaporator	45°F
Return Gas	90°F		Return Gas	95°F
Ambient	90°F		Ambient	95°F
Liquid Temp.	90°F		Liquid Temp.	115°F

<b>Material</b>	<b>Part number</b>	<b>Description</b>	<b>Compressor Cross Ref.</b>	
			<b>Model</b>	<b>Appl.</b>
Compressor	922KG02			
Relay	1253050			
Overload	2291061			
Start Cap	2252331	243-292 mfd / 250v		
Run Cap	2253315	35 mfd / 440v		
Grommet	2221004			
Sleeve	2222016			

**EMBRACO NORTH AMERICA, INC.**  
 2800 Vista Ridge Dr. Suite 100, Suwanee Ga, 30024 Phone: 678-804-1337