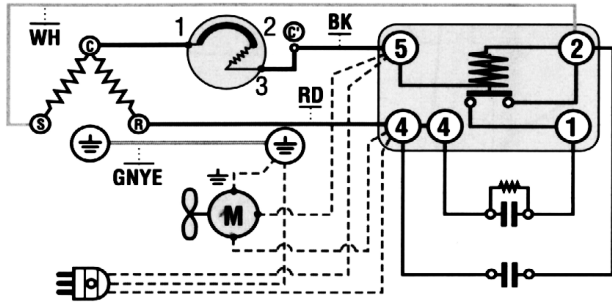


Wiring Diagram



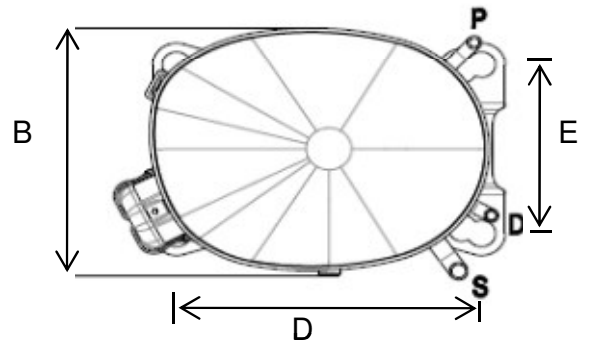
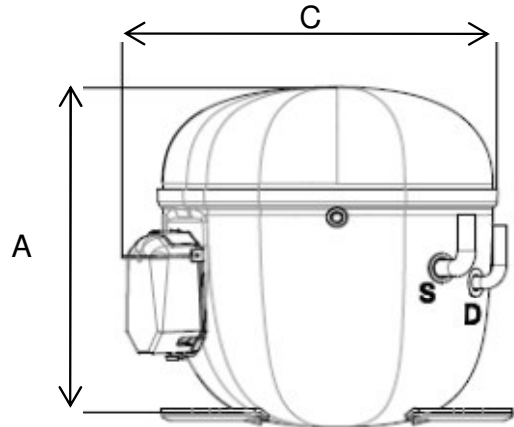
Compressor Terminals

- C = Common
- R = Run
- S = Start

Electrical components are supplied unassembled. Use of components other than specified will void warranty.

Dimensions (inches)

A:9.2" B: 7" C: 10" D: 8" E: 4.8"



Tube Diameter

| ID | Inch | MM |
|-----------|----------|------|
| Process | .253-1/4 | 6.42 |
| Suction | .378-3/8 | 9.6 |
| Discharge | .253-1/4 | 6.42 |

Technical Specifications

Rev 5-2016

| Mechanical Data | English | Metric | Electrical Data | |
|--|--------------|-----------|-----------------------------------|----------------|
| Bore | 1.46 in | 36.99 mm | Motor: | CSR |
| Stroke | .82 in | 20.83 mm | Voltage | 208-230 |
| Displacement | 1.365 cu. In | 22.37 cc | Voltage range | 187-253 |
| Speed | 3,500 rpm | 3,500 rpm | Run winding resistance at 25 °C | 1.04 Ω |
| Weight | 38.58 lb | 17.5 kg | Start winding resistance at 25 °C | 5.65 Ω |
| Oil Charge | 15.22 oz. | 450 ml | Locked rotor current | 43 amps |
| Oil type | POE | ISO22 | FLA:MBP-60Hz | 9 amps |
| Compressor Cooling: Fan cooled by forced draft over shell with 6 watt minimum fan. | | | | |
| Restrictor: Capillary tube or Expansion valve | | | Capacitor: | |
| | | | Start Cap | 72-88 mfd 330V |
| | | | Run Cap | 20 mfd 440V |

| | | | | |
|---|-------------------|------------|---|-------------|
| embraco | NT6226GKV2 | MBP | 208-230 | 404A |
| Specifications Approximate H. P. 1+ Starting Torque High Refrigerant 404A Evaporator Temperature Med Evaporator Temperature -4° to 50°F | | | Usage Drinking Water Coolers Dehumidifiers Ice Machines Reach In Refrigerators Beer Coolers | |

| MBP Performance 208V | | | | | |
|-----------------------------|-------|-------|-------|--------------|--------|
| Temperature °F | 14 | 23 | 32 | 20 | 50 |
| Capacity BTU/Hr | 6,699 | 8,137 | 9,790 | 7,675 | 13,769 |
| Power W | 1,510 | 1,670 | 1,837 | 1,593 | 2,189 |
| Current Amps | 9.00 | 9.73 | 10.53 | 9.38 | 12.38 |
| Temperature °C | -10 | -5 | 0 | -6.7 | 10 |
| Capacity Kcal/Hr | 1,688 | 2,051 | 2,467 | 1,934 | 3,470 |

| LBP Rating | ASHRAE | Rating Point (Bolded above) | MBP Rating | ASHRAE |
|-------------------|---------------|--|-------------------|---------------|
| Condensing | N/A | | Condensing | 130° |
| Evaporator | N/A | | Evaporator | 20° |
| Return Gas | N/A | | Return Gas | 95° |
| Ambient | N/A | | Ambient | 95° |
| Liquid Temp. | N/A | | Liquid Temp. | 115° |

| Material | Part number | Description | Compressor Cross Ref. | |
|-----------------|--------------------|--------------------|------------------------------|--------------|
| Compressor | 923AD02 | NT6226GKV2 | Manufacturer | Model |
| Relay | 1253026 | RVA3AN3C-647 | Copeland | RST64C1E-CAV |
| Overload | 2291048 | TO793/C9 | | |
| Start Cap | 2252270 | 72-88 mfd / 330V | | |
| Run Cap | 2253312 | 20 mfd / 440V | | |
| Electrical box | 1262267 | | | |
| Grommet | 2221004 | | | |
| Sleeve | 2222016 | | | |

EMBRACO NORTH AMERICA, INC.
1610 Satellite Blvd. Suite B, Duluth Ga, 30097 Phone: 678-805-3074