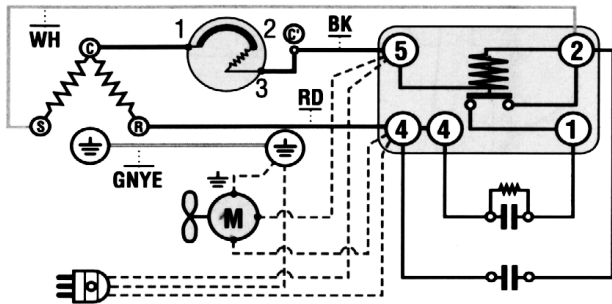


Wiring Diagram



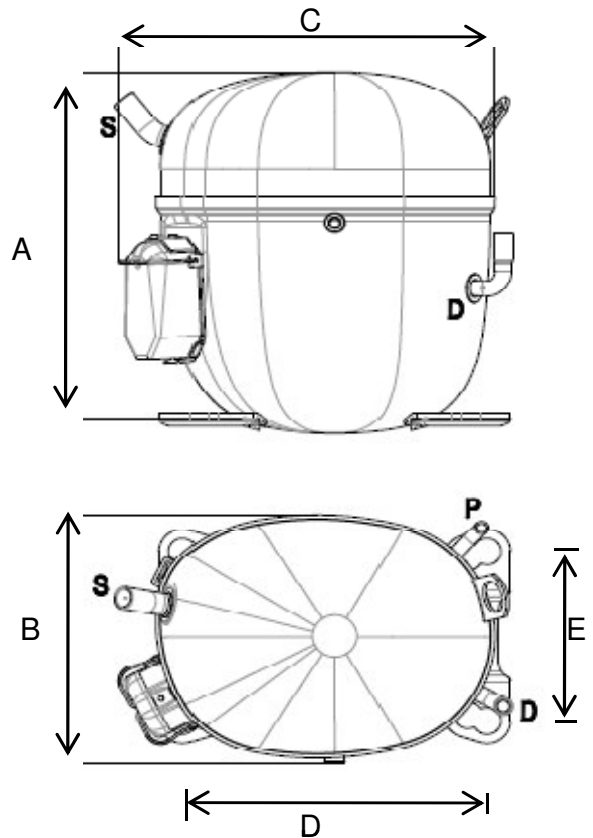
Compressor Terminals

- C = Common
- R = Run
- S = Start

Electrical components are supplied unassembled. Use of components other than specified will void warranty.

Dimensions (inches)

A: 9.9" B: 7.05" C: 10" D: 8" E: 4.8"



Tube Diameter

| ID | Inch | MM |
|-----------|------|-------|
| process | .253 | 6.42 |
| suction | .503 | 12.77 |
| discharge | .378 | 9.6 |

Technical Specifications

Rev 10/12

| Mechanical Data | English | Metric | Electrical Data | |
|--|---------------|-----------|-----------------------------------|------------------|
| Bore | 1.46 in | 36.99 mm | motor: 2 pole - 1 phase | CSCR |
| Stroke | .75 in | 19.03 mm | voltage | 208-230 |
| Displacement | 1.247 cu. In | 20.44 cc | voltage range | 187-253 |
| Speed | 3,500 rpm | 3,500 rpm | run winding resistance at 25°C | 1.27 Ω |
| Weight | 39.90 lb | 18.1 kg | start winding resistance at 25°C | 3.09 Ω |
| Oil Charge | 21.98 fl. oz. | 650 ml | locked rotor current | 46 amps |
| Compressor Cooling: Fan cooled by forced draft over shell with 6 watt minimum fan. | | | | |
| Restrictor: Capillary tube or Expansion valve | | | Capacitor: | |
| | | | Start Cap | 108-130 mfd 330v |
| | | | Run Cap | 25 mfd 440v |

| | | | | |
|---|-------------------|------------|---|-------------|
| embraco | NTU6232GKV | MBP | 208-230 | 404A |
| Specifications Approximate H. P. 1+ Starting Torque High Refrigerant 404A Evaporator Temperature Med Evaporator Temperature -4° to 32°F | | | Usage Drinking Water Coolers Dehumidifiers Ice Machines Reach In Refrigerators Beer Coolers | |

| MBP Performance ARI 230v | | | | | |
|---------------------------------|-------|-------|-------|--------------|-------|
| Temperature °F | 5 | 14 | 23 | 20 | 32 |
| Capacity BTU/Hr | 4,195 | 5,320 | 6,506 | 7,169 | 7,749 |
| Power W | 1,085 | 1,195 | 1,296 | 1,216 | 1,393 |
| Current Amps | 5.70 | 6.10 | 6.49 | 6.06 | 6.87 |
| Temperature °C | -15 | -10 | -5 | -6.7 | 0 |
| Capacity Kcal/Hr | 1,057 | 1,341 | 1,639 | 1,807 | 1,953 |

| LBP Rating | | Rating Point (Bolded above) | HBP Rating | ARI MBP |
|-------------------|-------|--|-------------------|----------------|
| Condensing | 130°F | | Condensing | 120°F |
| Evaporator | -10°F | | Evaporator | 20°F |
| Return Gas | 90°F | | Return Gas | 40°F |
| Ambient | 90°F | | Ambient | 95°F |
| Liquid Temp. | 90°F | | Liquid Temp. | 120°F |

| Material | Part number | Description | Compressor Cross Ref. | |
|-----------------|--------------------|--------------------|------------------------------|--------------|
| | | | Model | Appl. |
| Compressor | 925AD60 | | | |
| Relay | 1253015 | | | |
| Overload | Internal | | | |
| Start Cap | 2252271 | 108-130 mfd / 330v | | |
| Run Cap | 2253313 | 25 mfd / 440v | | |
| Grommet | 2221004 | | | |
| Sleeve | 2222016 | | | |

EMBRACO NORTH AMERICA, INC.
2800 Vista Ridge Dr. Suite 100, Suwanee Ga, 30024 Phone: 678-804-1337