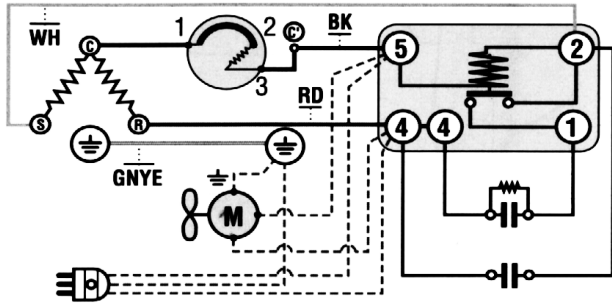


Wiring Diagram



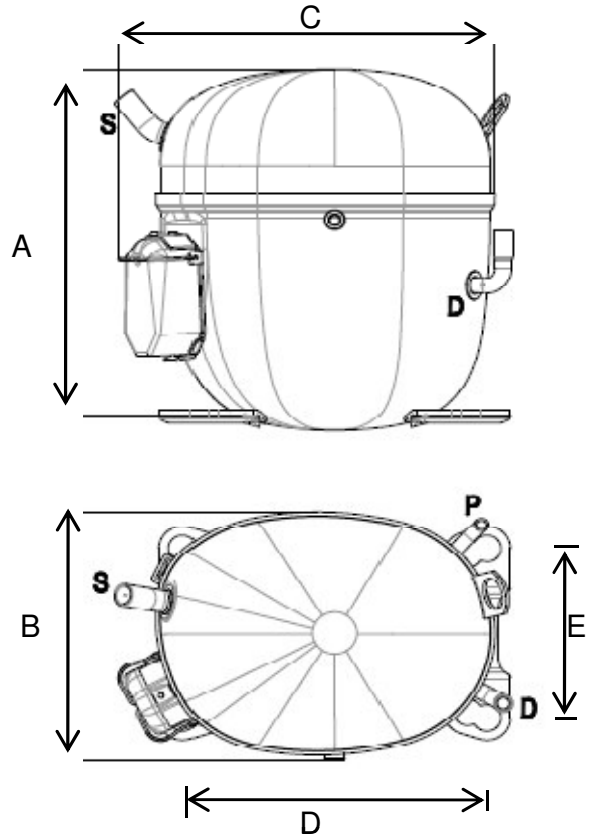
Compressor Terminals

- C = Common
- R = Run
- S = Start

Electrical components are supplied unassembled. Use of components other than specified will void warranty.

Dimensions (inches)

A: 9.9" B: 7.05" C: 10" D: 8" E: 4.8"



Tube Diameter

ID	Inch	MM
process	.253	6.42
suction	.503	12.77
discharge	.378	9.6

Technical Specifications

Rev 10/12

Mechanical Data	English	Metric	Electrical Data	
Bore	1.50 in	38.10 mm	motor: 2 pole - 1 phase	CSCR
Stroke	.82 in	20.83 mm	voltage	208-230
Displacement	1.449 cu. In	23.74 cc	voltage range	187-253
Speed	3,500 rpm	3,500 rpm	run winding resistance at 25°C	1.27 Ω
Weight	39.90 lb	18.1 kg	start winding resistance at 25°C	3.09 Ω
Oil Charge	21.98 fl. oz.	650 ml	locked rotor current	N/A
Compressor Cooling: Fan cooled by forced draft over shell with 6 watt minimum fan.				
Restrictor: Capillary tube or Expansion valve			Capacitor:	
			Start Cap	108-130 mfd 330v
			Run Cap	30 mfd 450v

embraco	NTU6234GKV	MBP	208-230	404A
Specifications Approximate H. P. 1 1/4 Starting Torque High Refrigerant 404A Evaporator Temperature Med Evaporator Temperature -4° to 32°F			Usage Drinking Water Coolers Dehumidifiers Ice Machines Reach In Refrigerators Beer Coolers	

MBP Performance ARI 230v					
Temperature °F	5	14	23	20	32
Capacity BTU/Hr	4,992	6,245	7,633	8,453	9,162
Power W	1,289	1,413	1,527	1,429	1,633
Current Amps	6.10	6.60	7.07	6.66	7.52
Temperature °C	-15	-10	-5	-6.7	0
Capacity Kcal/Hr	1,258	1,574	1,924	2,130	2,309

LBP Rating		Rating Point (Bolded above)	HBP Rating	ARI MBP
Condensing	130°F		Condensing	120°F
Evaporator	-10°F		Evaporator	20°F
Return Gas	90°F		Return Gas	40°F
Ambient	90°F		Ambient	95°F
Liquid Temp.	90°F		Liquid Temp.	120°F

Material	Part number	Description	Compressor Cross Ref.	
			Model	Appl.
Compressor	925BD60			
Relay	1253015			
Overload	Internal			
Start Cap	2252271	108-130 mfd / 330v		
Run Cap	2253314	30 mfd / 450v		
Grommet	2221004			
Sleeve	2222016			

EMBRACO NORTH AMERICA, INC.
2800 Vista Ridge Dr. Suite 100, Suwanee Ga, 30024 Phone: 678-804-1337