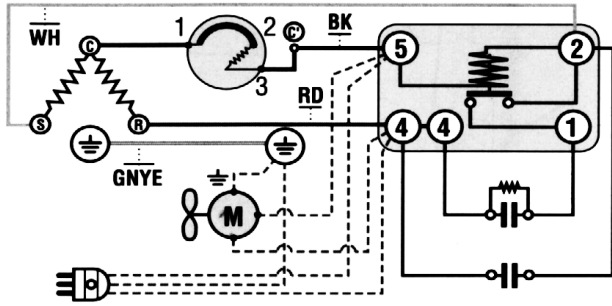


**Wiring Diagram**



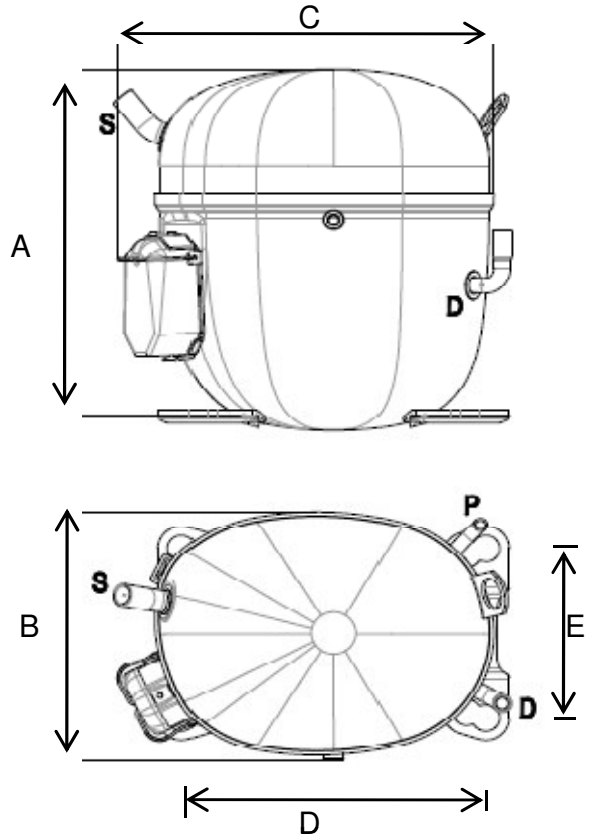
**Compressor Terminals**

- C = Common
- R = Run
- S = Start

Electrical components are supplied unassembled. Use of components other than specified will void warranty.

**Dimensions (inches)**

A: 9.9" B: 7.05" C: 10" D: 8" E: 4.8"




**Tube Diameter**

ID	Inch	MM
process	.253	6.42
suction	.503	12.77
discharge	.378	9.6

**Technical Specifications**

Rev 10/12

Mechanical Data	English	Metric	Electrical Data	
Bore	1.46 in	36.99 mm	<b>motor:</b> 2 pole - 1 phase	CSCR
Stroke	.96 in	24.40 mm	voltage	208-230
Displacement	1.599 cu. In	26.21 cc	voltage range	187-253
Speed	3,500 rpm	3,500 rpm	run winding resistance at 25° C	1.17 Ω
Weight	40.34 lb	18.3 kg	start winding resistance at 25° C	3.03 Ω
Oil Charge	21.98 fl. oz.	650 ml	locked rotor current	N/A
<b>Compressor Cooling:</b> Fan cooled by forced draft over shell with 6 watt minimum fan.				
<b>Restrictor:</b> Capillary tube or Expansion valve			<b>Capacitor:</b>	
			Start Cap	108-130 mfd 330v
			Run Cap	30 mfd 440v

	<b>NTU6238GKV</b>	<b>MBP</b>	<b>208-230</b>	<b>404A</b>
<b>Specifications</b> Approximate H. P. 1 1/2 Starting Torque High Refrigerant 404A Evaporator Temperature Med Evaporator Temperature -4° to 32°F			<b>Usage</b> Drinking Water Coolers Dehumidifiers Ice Machines Reach In Refrigerators Beer Coolers	

<b>MBP Performance ARI 230v</b>					
<b>Temperature °F</b>	5	14	23	<b>20</b>	32
<b>Capacity BTU/Hr</b>	5,390	6,707	8,278	<b>9,379</b>	10,142
<b>Power W</b>	1,420	1,566	1,699	<b>1,579</b>	1,821
<b>Current Amps</b>	6.60	7.21	7.77	<b>7.27</b>	8.29
<b>Temperature °C</b>	-15	-10	-5	<b>-6.7</b>	0
<b>Capacity Kcal/Hr</b>	1,358	1,690	2,086	<b>2,364</b>	2,556

<b>LBP Rating</b>		<b>Rating Point (Bolded above)</b>	<b>HBP Rating</b>	<b>ARI MBP</b>
Condensing	130°F		Condensing	120°F
Evaporator	-10°F		Evaporator	20°F
Return Gas	90°F		Return Gas	40°F
Ambient	90°F		Ambient	95°F
Liquid Temp.	90°F		Liquid Temp.	120°F

<b>Material</b>	<b>Part number</b>	<b>Description</b>	<b>Compressor Cross Ref.</b>	
			<b>Model</b>	<b>Appl.</b>
Compressor	925ED60			
Relay	1253015			
Overload	Internal			
Start Cap	2252271	108-130 mfd / 330v		
Run Cap	2253314	30 mfd / 440v		
Grommet	2221004			
Sleeve	2222016			

**EMBRACO NORTH AMERICA, INC.**  
 2800 Vista Ridge Dr. Suite 100, Suwanee Ga, 30024 Phone: 678-804-1337